



# The 202 Stereo Amplifier

## User Guide

Check our website for the most recent user guides, firmware, and drivers:  
[www.msbtechnology.com](http://www.msbtechnology.com)

Technical support email is:  
[techsupport@msbtech.com](mailto:techsupport@msbtech.com)

08.25.2020



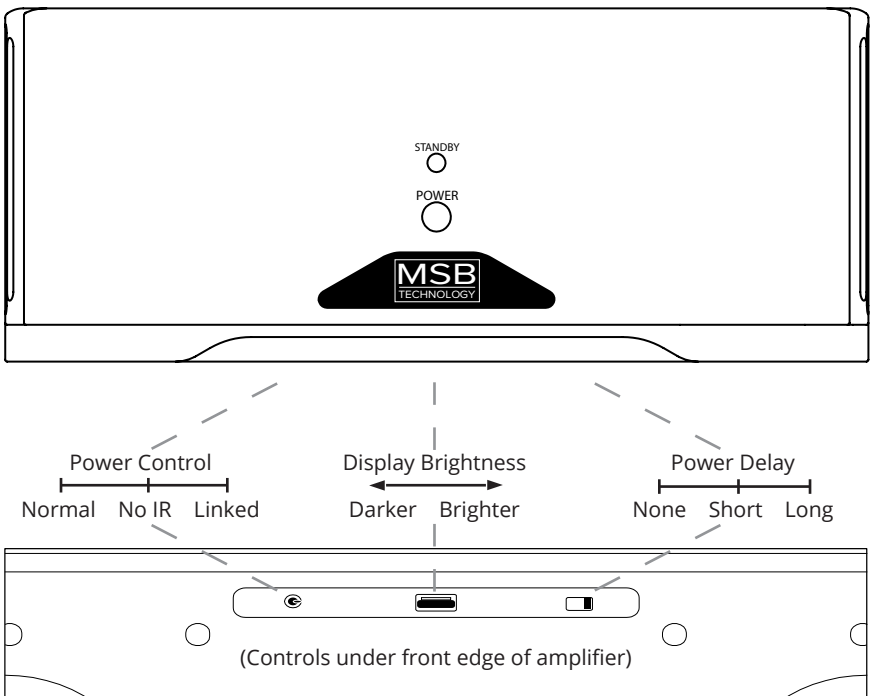
# Technical specifications

Static Power Consumption	90 Watts On Standby power less than 2 watts
Input	2x XLR Input
Output	1x Binding post set per channel
Cont. Power Output (8 $\Omega$ ) < 1% distortion	200 W
Cont. Power Output (4 $\Omega$ ) < 1% distortion	380 W
Frequency Response (20 to 20kHz)	$\pm 0.03$ dB
Signal to Noise (20 to 22kHz)	>130dB (>133dBA)
Equivalent Input Noise (22kHz BW)	0.65 $\mu$ V
Crosstalk @ 2kHz	>110dB
Gain (150 $\Omega$ source impedance)	23.8dB
Input Impedance (User Selectable)	75 $\Omega$ / 300 $\Omega$ / 1.2k $\Omega$
Output Impedance (20 to 20kHz)	0.01 $\Omega$
Operating Voltage Range	100V or 105-130V/210-260V Configured at factory.
Fuse	1/4"x1-1/4" 10A 250V Slow Blow
Controls	Input Impedance Switch On/Off Button Standby Button Display Dimmer Delay/Mode Switch 2x MSB 12V Trigger

## Technical specifications (continued)

Chassis Dimensions (Per Chassis)	Width: 16 in (404 mm) Depth: 19 in (483 mm) Height without feet: 6.5 in (165 mm) Height with feet: 7 in (178 mm) Weight: 90 lbs (41 kg) Product Feet: M6X1 Thread
Shipping Dimensions (Per Chassis)	Width: 24 in (610 mm) Depth: 28.25 in (718 mm) Height: 16.5 in (419 mm) Weight: 137 lbs (62 kg)
Included Accessories	User Manual IEC C19 Power Cord Rubber Feet

## S202 amplifier front controls



# Amplifier Interface

There are two buttons on the front of the amplifier as well as three control features just under the front of the amplifier.

Display Modes	<p>All display modes will be displayed at full brightness when a display status is changed and then fade to the brightness set by the user.</p> <p><b>White</b> - Power on.</p> <p><b>Red</b> - Power off.</p> <p><b>Pulsing Amber</b> - Standby (pressing the power button from this state will shut the amplifier off, pressing the standby again will turn it back on)</p> <p><b>Flashing Red</b> - Overheating Protection (Unit will not turn on until it has reached an acceptable temperature)</p> <p><b>Flashing Amber</b> - Over-voltage protection.</p>
Remote Trigger Switch	<p><b>Normal</b> - This sets the unit as the 12 volt trigger master.</p> <p><b>No IR</b> - Remote commands disabled.</p> <p><b>Linked</b> - This sets the powerbase as the 12 volt trigger slave. The 'master' unit will control this units power and standby with link cable installed.</p>
Display Brightness	<p>This is a rolling wheel to control the brightness of the power indication display</p>
Delay switch	<p><b>No Delay</b> - The amplifier will have no delay before switching on.</p> <p><b>Short Delay</b> - The amplifier will have a short delay before switching on.</p> <p><b>Long Delay</b> - The amplifier will have a long delay before switching on.</p>

## Power

When plugging in power, the amplifier detects the input voltage and automatically switches between 120 or 240 volt operation. It is also available in a non-switching 100 volt permanent configuration.

# Connecting to your Amplifier

Connect your analog interconnects to the amplifier and attach your speaker cables following the appropriate method below. MSB recommends to always unplug your amplifier when connecting or changing anything associated with your speaker lugs.

The S202 is equipped with a 'Right' channel and a 'Left' channel set of lugs. Connect your speakers to the associated set of lugs.

## Grounding Connections

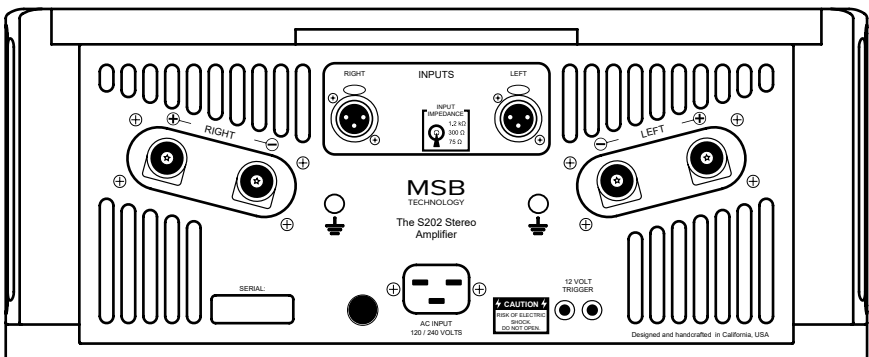
On the back of each S202 there are chassis grounds available just below and to the inside of each set of output lugs. These grounding connections are labeled with a ground symbol. These are intended as a simple way to finish the grounding chain setup from an MSB Powerbase or to attach any shielded audio interconnect grounds. Never attach any ground wire to the negative terminal of the output lugs. Visit our website for more details.

## Input impedance switch

To select the correct input impedance setting follow the table below.

75Ω	<b>MSB Select DAC</b> <b>MSB Reference DAC</b> <b>MSB Premier DAC</b>
300Ω	<b>MSB Discrete DAC</b>
1.2kΩ	<b>All non-MSB Products</b> (Lower impedance settings can be used, but contact your products manufacture first to ensure that a lower impedance setting will not damage the product)

## S202 Stereo Amplifier Jack Panel

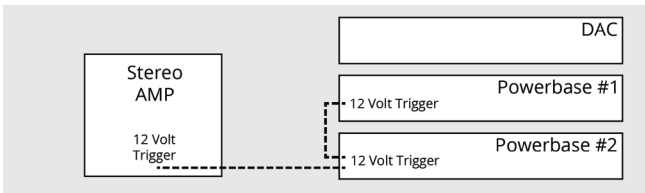


# 12 Volt Remote Trigger

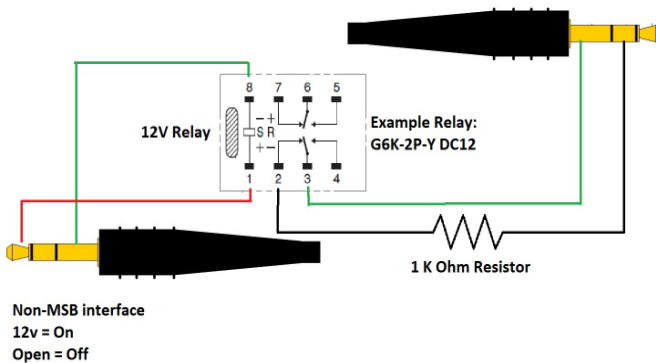
This amplifier is equipped with a remote trigger for use with other MSB products. The trigger uses a 3 pin mini jack. When any MSB product is turned off, the other products connected will also turn off and vice-versa. This trigger can also be used with other products. Products may use this trigger differently, so you may need to rewire a cable or use an interface relay. The connector is wired as shown. If you connect "signal" to "ground", all MSB products will turn off. If you connect "signal" to "12 V" or leave it open, all MSB products will turn on. MSB amplifiers can also communicate standby when the 'signal' is pulled down using a 50K resistor. Use the power delay switch to stagger the powering on of the amplifiers. Visit our website for more details.

## Adding an Amplifier Configurations

### Adding a Stereo Amplifier



### To the MSB Power Base



# Technical Support

If you are experiencing any issues with your MSB product, please contact your nearest dealer or try our support page at [www.msbtechnology.com/support](http://www.msbtechnology.com/support). Please be sure you have the most current edition of your products firmware installed. If your issue persists please feel free to contact MSB directly. Emails are usually responded to in 24 - 48 hours.

**Email:** [techsupport@msbtech.com](mailto:techsupport@msbtech.com)

## MSB Return Procedure (RMA)

If a customer, dealer, or distributor has a problem with an MSB product, they should email tech support before sending anything back to the factory. MSB will do their best to respond within 24 hours. Should it be clear that a product must be returned, tech support should be informed and all the following relevant information should be provided:

1	Product in question
2	Serial number
3	Exact configuration when symptom is observed along with a list with the input used, source material, system connections, and amplifier
4	Customer name
5	Customer shipping address
6	Customer phone number and email
7	Special return shipping instructions

MSB will issue an RMA number and create an invoice with all details outlined except the final price as the product has not yet been seen. This invoice will be emailed so all the above information can be checked and verified by the customer.

The product should be returned with the RMA number present on the box. Work can then begin immediately and the product can be sent back quickly.

Any repair that is difficult and cannot be completed in two weeks will be identified and the customer will be informed when it is to be expected. Otherwise the majority of repairs should be shipped back within two weeks if all the required information is present on the invoice.

**Link to page:**

<http://www.msbtechnology.com/faq/msb-product-return-procedure/>



# The 202 Stereo Amplifier Limited Warranty

Warranty includes:

- MSB warrantys the unit against defects in materials and workmanship for a period of **5 years** from the date the unit was originally shipped from MSB.
- This warranty covers parts and labor only, it does not cover shipping charges or tax/duty. During the Warranty period, there will normally be no charge for parts or labor.
- During the warranty period, MSB will repair or, at our discretion, replace a faulty product.
- Warranty repairs must be carried out by MSB or our authorized dealer. Please contact your dealer if your unit requires service.

Warranty excludes:

- The Warranty does not cover standard wear and tear.
- The product is misused in any way.
- Any unauthorized modifications or repairs were performed.
- The product is not used in accordance with the Operating Conditions stated below.
- The product is serviced or repaired by someone other than MSB or a authorized dealers.
- The product is operated without a mains earth (or ground) connection.
- The unit is returned inadequately packed.
- MSB reserves the right to apply a service charge if the product returned for warranty repair is found to be operating correctly, or if the product is returned without a returns number (RMA) being issued.

Operating Conditions:

- Ambient temperature range: 32F to 90F, non-condensing.
- The supply voltage must remain within the AC voltage specified near the products AC jack.
- Do not install the unit near heat sources such as radiators, air ducts, power amplifiers or in direct strong sunlight. This may cause the product to overheat.