

Pioneer

Operating Instructions
Mode d'emploi
Bedienungsanleitung
Istruzioni per l'uso
Handleiding
Manual de instrucciones
Инструкции по эксплуатации

EAC

**STEREO TURNTABLE
PLATINE STEREOPHONIQUE
STEREO PLATTENSPIELER
GIRADISCHI STEREOFONICO
STEREO DRAAITAFEL
GIRADISCOS ESTEREOFÓNICO
СТЕРЕОПРОИГРЫВАТЕЛЬ**

PL-30-K

English

Français

Deutsch

Italiano

Nederlands

Español

Русский



If you want to dispose this product, do not mix it with general household waste. There is a separate collection system for used electronic products in accordance with legislation that requires proper treatment, recovery and recycling.

Private households in the member states of the EU, in Switzerland and Norway may return their used electronic products free of charge to designated collection facilities or to a retailer (if you purchase a similar new one).

For countries not mentioned above, please contact your local authorities for the correct method of disposal.

By doing so you will ensure that your disposed product undergoes the necessary treatment, recovery and recycling and thus prevent potential negative effects on the environment and human health.

K058b_A1_En

WARNING

This equipment is not waterproof. To prevent a fire or shock hazard, do not place any container filled with liquid near this equipment (such as a vase or flower pot) or expose it to dripping, splashing, rain or moisture.

D3-4-2-1-3_A1_En

WARNING

To prevent a fire hazard, do not place any naked flame sources (such as a lighted candle) on the equipment.

D3-4-2-1-7a_A1_En

Operating Environment

Operating environment temperature and humidity:

+5 °C to +35 °C (+41 °F to +95 °F); less than 85 %RH (cooling vents not blocked)

Do not install this unit in a poorly ventilated area, or in locations exposed to high humidity or direct sunlight (or strong artificial light).

D3-4-2-1-7c*_A2_En

CAUTION

Since the power cord serves as the main disconnect device for the unit, you will need to unplug it from the AC outlet to shut down all power. Therefore, make sure the unit has been installed so that the power cord can be easily unplugged from the AC outlet in case of an accident. To avoid fire hazard, the power cord should also be unplugged from the AC outlet when left unused for a long period of time (for example, when on vacation).

D3-4-2-2-2a*_A1_En

CAUTION

TO PREVENT THE RISK OF ELECTRIC SHOCK, DO NOT REMOVE COVER (OR BACK). NO USER-SERVICEABLE PARTS INSIDE. REFER SERVICING TO QUALIFIED SERVICE PERSONNEL.

D3-4-2-1-1_B1_En

POWER-CORD CAUTION

Handle the power cord by the plug. Do not pull out the plug by tugging the cord and never touch the power cord when your hands are wet as this could cause a short circuit or electric shock. Do not place the unit, a piece of furniture, etc., on the power cord, or pinch the cord. Never make a knot in the cord or tie it with other cords. The power cords should be routed such that they are not likely to be stepped on. A damaged power cord can cause a fire or give you an electrical shock. Check the power cord once in a while. When you find it damaged, ask your nearest PIONEER authorized service center or your dealer for a replacement.

S002*_A1_En

WARNING

Store small parts out of the reach of children and infants. If accidentally swallowed, contact a doctor immediately.

D41-6-4_A1_En

VENTILATION CAUTION

When installing this unit, make sure to leave space around the unit for ventilation to improve heat radiation (at least 15 cm at top, 5 cm at rear, and 5 cm at each side).

D3-4-2-1-7d*_A1_En

This product is for general household purposes. Any failure due to use for other than household purposes (such as long-term use for business purposes in a restaurant or use in a car or ship) and which requires repair will be charged for even during the warranty period.

K041_A1_En

Thank you for buying this Pioneer product. Please read through these operating instructions so you will know how to operate your model properly.

Contents

01 Before you start

Features	4
Checking what's in the box.....	4
Assembly.....	4

02 Operation

Part names and functions	6
Adjustment.....	6
Connecting your equipment.....	7
Playback	8
Pausing playback	8
Finishing playback.....	8
Additional information	8

03 Others

Troubleshooting	10
Cautions on use	10
Maintenance of each part.....	10
About trademarks and registered trademarks	10
Specifications	11

Features

Simple to use, fully automatic record player

Once you select the record size, all you have to do is press the [START] button to start playing a record. When the record is done, the player's fully automatic function returns the tone arm to its position.

Stable record playing due to low center of gravity chassis

The bottom of the player has a metal plate to give the entire chassis a low center of gravity. That makes it stable while playing records even when there are external vibrations.

Equipped with a phono equalizer that can be switched ON/OFF

Being equipped with its own phono equalizer means the player can be connected directly to amps that don't have a PHONO terminal. If an amp does have a phono equalizer, this function can be turned off.

Comes with a high-performance MM cartridge

Because it comes with a cartridge, you can use it right away.

Comes with a moderately thick rubber mat

The 5 mm thick rubber mat suppresses external vibration while improving the grip between the record and the turntable—for stable record playing.

Unobtrusive design

Its appearance and finish engender a composed ambience so it harmonizes with your components as well as your interior.

Detachable power cord

Cables are not obstacles when the player is moved, thus preventing disconnection problems.

Checking what's in the box

Please check that you've received the following supplied accessories:

- Turntable
- Turntable sheet
- Dust cover with removable hinges
- Adapter for EP record
- Balance weight
- Headshell with cartridge
- Spare lead wires
- Power cord
- Operating instructions (this document)
- Warranty sheet

WARNING

Store small parts out of the reach of children and infants. If accidentally swallowed, contact a doctor immediately.

D41-6-4_A1_En

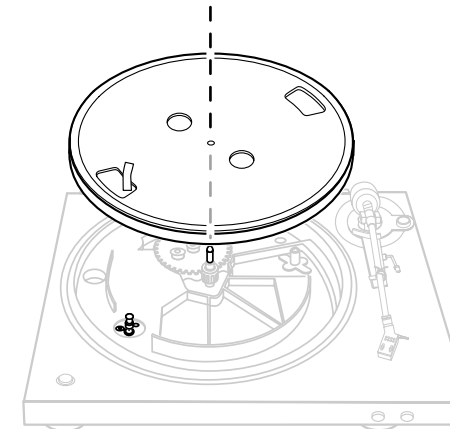
Assembly

- Do not remove the twist tie for clamping the tone arm until assembly is completed.
- Connect the power cord after player assembly and all the connections between other devices have been completed.

1 Set the turntable.

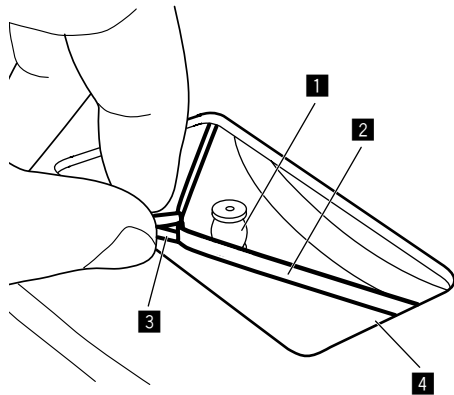
Set the turntable on the center spindle.

- Be careful not to hit the turntable on the main unit or drop it.



- ### 2 Turn the turntable so that the roller is visible through the square hole with the ribbon tape for catching the belt.

3 Pinch the ribbon tape and catch the belt on the outer center of the roller.



- 1 Roller
- 2 Belt
- 3 Ribbon tape
- 4 Square hole

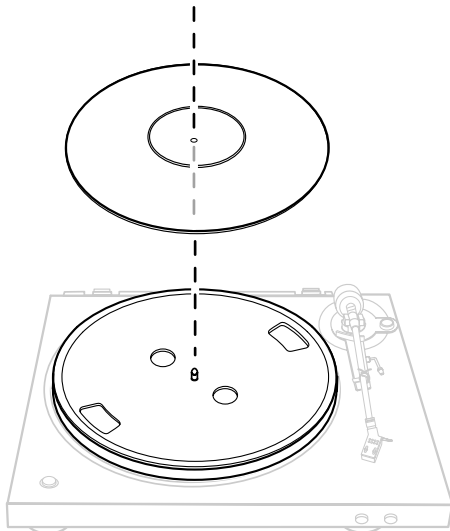
4 Remove the ribbon tape.

5 Turn turntable slowly five or six turns.

Check that the belt is properly caught at the center of the roller.

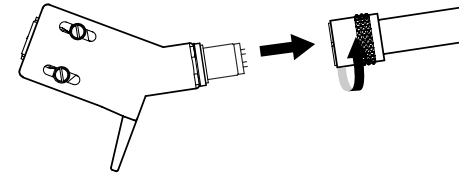
6 Set the turntable sheet.

- The turntable mat has a top and a bottom side. Put the mat on the turntable so the bottom, which has the Pioneer logo, faces down.



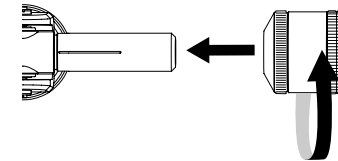
7 Attach the headshell.

Insert the headshell with attached cartridge into the tone arm. Next, while keeping the headshell horizontal, tighten the lock nut.



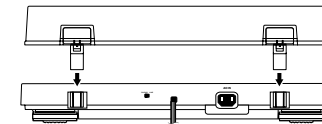
8 Attach the balance weight.

Attach the balance weight to the rear shaft of the tone arm.



9 Mount the dust cover.

Insert the hinges of the dust cover securely into their holders on the back of the turntable.



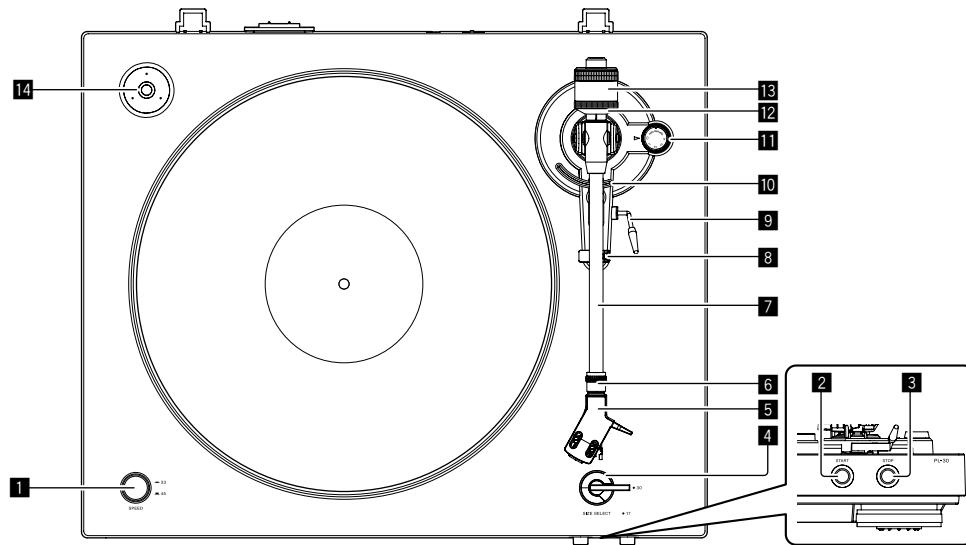
- Insert both hinges fully.
- When removing the dust cover, open the dust cover fully then pull out upward with holding the dust cover near the hinge retainer sections.

10 Remove the twist tie for clamping the tone arm.

Once assembly is finished, remove the twist tie for clamping the tone arm.

Part names and functions

Top panel



- 1 SPEED button**
Changes the speed according to the record to be played.
- 2 START button**
Pressing the button starts rotation of the turntable.
- 3 STOP button**
Pressing the button stops rotation of the turntable.
- 4 SIZE SELECT lever**
Changes the size according to the record to be played.
- 5 Headshell**
Used with a cartridge attached.
- 6 Lock nut**
Holds the cartridge attached.
- 7 Tone arm**
- 8 Arm rest**
Serves as the support base for the tone arm.

- 9 Lifter lever**
The tone arm goes up when the lever is pulled up. The tone arm goes down when the lever is pushed down.
- 10 Arm lifter**
This device is used to move the tone arm up and down. It is operated by the lifter lever.
- 11 ANTI-SKATING dial**
When a record is played, there is power to pull the stylus tip toward the inner perimeter. By matching this dial to the stylus pressure value, that power is eliminated.
- 12 Stylus pressure adjustment ring**
Used to match to the appropriate stylus pressure of the cartridge.
- 13 Balance weight**
Used to balance the tone arm and adjust the stylus pressure.
- 14 Adapter for EP record**
Used to play standard EP records.

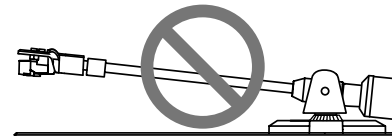
Adjustment

Adjusting the tone arm balance

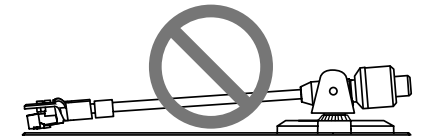
Prepare as follows;

- For cartridges with removable stylus covers, remove the stylus cover.
- Push down the lifter lever.

- 1 Set the [ANTI-SKATING] dial to "0".**
- 2 Keep the tone arm from the arm rest and adjust the balance so it is horizontal.**
Turn the balance weight until the tone arm becomes almost horizontal.
 - When moving the tone arm, make sure that the stylus tip does not directly touch the turntable and the like.



Balance weight too far to the back

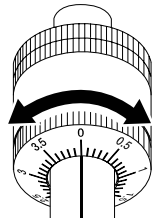


Balance weight too far to the front

Adjusting the stylus pressure

- 1 Return the tone arm to the arm rest.
- 2 Match the "0" on the stylus pressure adjustment ring to the center line of the arm rear shaft.

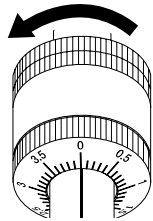
While using your finger to hold the balance weight to keep it from moving, turn only the stylus pressure adjustment ring so that the number "0" comes to the black center line of the tone arm rear shaft.



3 Adjust the stylus pressure.

Turn the balance weight to adjust to the appropriate stylus pressure value for your cartridge.

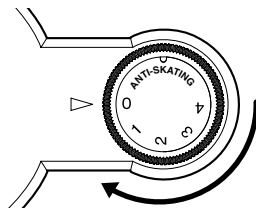
- When turning the balance weight, the stylus pressure adjustment ring turns together. While observing the adjustment ring, adjust the stylus pressure to the appropriate value.
- The appropriate stylus pressure for the included cartridge is 3.5 g. Set to "3.5".



Adjusting anti-skating

This adjustment is made to prevent stylus jumping.

- 1 Match to the same scale position as the stylus pressure value.
- 2 Turn the [ANTI-SKATING] dial to match the reference mark to the same value as the cartridge stylus pressure value.

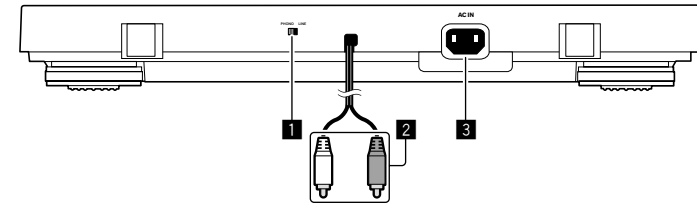


Connecting your equipment

Connecting your equipment

- Be sure to turn off the power and unplug the power cord from the power outlet whenever making or changing connections.
- Refer to the operating instructions for the component to be connected.
- Connect the power cord after all the connections between devices have been completed.

Descriptions of terminals



1 Equalizer switch

Move this switch to appropriate position according to the audio input terminal of the pre-main amplifier or other component.

2 RCA output terminals

Connects to the audio input terminal of the pre-main amplifier or other component.

3 AC IN terminal

Connects to a power outlet using the included power cord. Wait until all connections between the equipment are completed before connecting the power cord.

- Be sure to use the included power cord.

Connecting to a pre-main amplifier and component

1 Set the equalizer switch to appropriate position.

PHONO: When connecting to the PHONO input terminal (the built-in equalizer of record player is not used.)

LINE: When connecting a terminal other than the PHONO input terminal (the built-in equalizer of record player is used.)

2 Connect the RCA output terminal to the input terminal of the pre-main amplifier or other component.

3 Connect the power cord.

Connects to a power outlet using the included power cord. Wait until all connections between the equipment are completed before connecting the power cord.

- Before connecting to the outlet (AC outlet) mounted on the connected equipment, check the wattage displayed on the outlet. (This unit consumes 2 W of power.)
- If the player starts operating when the power cord is plugged in, press the [STOP] button.

Place of installation

Place the unit on a level surface that is free of external vibration.

- To the extent possible, keep the unit away from the speaker system.
- When the unit is very close to a radio (AM/FM broadcasting), the radio could generate noise. Keep the distance as far away from the unit as possible.

Playback

Prepare as follows;

- Place a record on the turntable.
- Remove the stylus cover while paying attention not to touch the stylus tip.

1 Press the [SPEED] button to set the record's playing speed.

To play 45's, set the button to the raised position [■]; for 33 1/3 records, the button must be in the depressed position [▬].

- To play a standard EP record, attach the EP record adapter to the center spindle and play the EP record.

2 Move the [SIZE SELECT] lever to set the record size.

To play 17 cm records, set the lever position to [17]; for 30 cm records, set the lever position to [30].

- To play a standard EP record, attach the EP record adapter to the center spindle and play the EP record.

3 Press the [START] button for over 1 second.

The turntable starts turning and playback starts automatically.

- Once the record is played, the tone arm returns to its original position and the turntable automatically stops turning.
- Once you have finished playing records, attach the stylus cover to protect the stylus tip.
- This set has an auto return function by which the tone arm automatically returns to its original position once a specific point is reached after a record finishes playing. Though there is no problem with records of normal size, with records including grooves up to this point, the auto return function may be activated before playback is finished.



Notes

- Do not touch the tone arm or turntable or turn off the power while a record is playing.
- The auto play system cannot be used for 25 cm records. In this case operate manually. If the tone arm does not return to its original position after playback stops, press the [STOP] button.

Pausing playback

Pull up the lifter lever.

The stylus of the cartridge lifts away from the record.

- To resume playback, push down the lifter lever.

Finishing playback

1 Pull up the lifter lever to return the tone arm to the arm rest and then push down the lifter lever.

2 Press the [STOP] button.

- Once you have finished playing records, attach the stylus cover to protect the stylus tip.

Additional information

Replacing the stylus

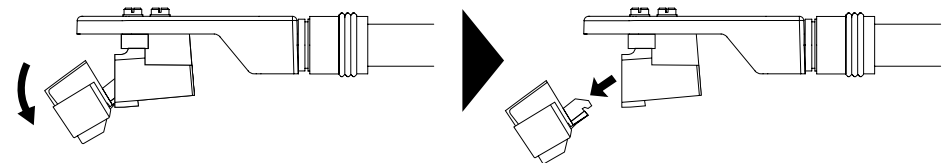
The included stylus has a service life of about 400 hours. To avoid damaging valuable records, replace the stylus without delay. Purchase a replacement stylus at the store where you purchased the record player or your nearest repair and inquiry outlet. Specify that you want the replacement stylus exclusively for PL-30-K.

- Turn off the amplifier's power before replacing the stylus, and unplug the player's power cord.
- The stylus tip is an extremely delicate part, so handle it very carefully. Use a soft brush to gently remove any dust from the stylus tip.
- Removing the headshell makes it easy to replace the stylus.

Removing the replaceable stylus

1 Holding the cartridge steady with one hand, grasp the replaceable stylus with the other hand, and then push down it.

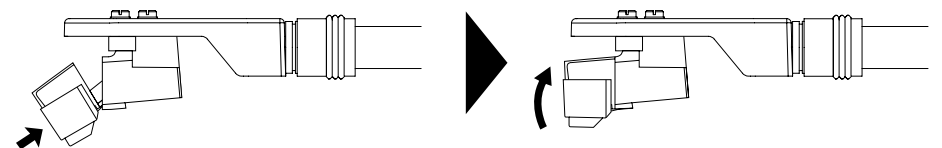
2 Pull the stylus off gently in the direction of arrow.



Attaching the replaceable stylus

1 Holding the cartridge steady with one hand, grasp the replaceable stylus with the other hand, point the catch on the replaceable stylus, insert it all the way into the long hole in the cartridge.

2 Push up in the direction of arrow until a click is heard.



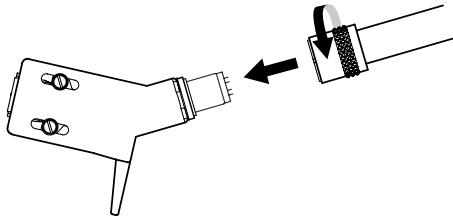
Replacing the cartridge

If you wish to mount a different cartridge on this player, use one weighing approximately 4.5 g to 9.5 g.

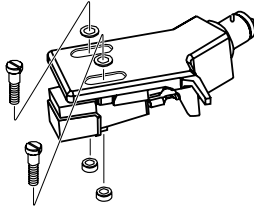
To purchase a headshell only, ask for one exclusively for PL-30-K at your store of purchase or nearest repair and inquiry outlet.

Removing the cartridge

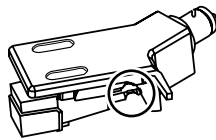
- 1 Turn the headshell lock nut and remove the headshell.



- 2 Loosen the cartridge mount screws and remove them.



- 3 Disconnect the lead wires on the cartridge side.

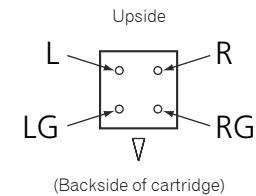


Attaching the cartridge

- 1 Connect the lead wires.

They are color-coded as shown below. Be careful to connect them properly.

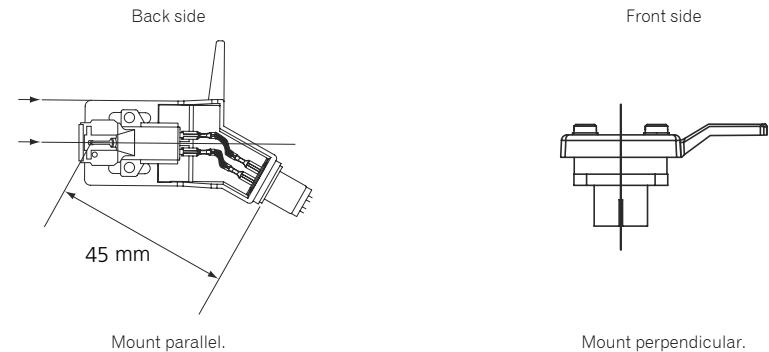
Color	Function
Red	Right channel (R)
White	Left channel (L)
Green	Right channel ground (RG)
Blue	Left channel ground (LG)



- 2 Attach the cartridge.

To achieve the required overhang, mount in such a way that the stylus tip is positioned about 45 mm from the edge of the headshell's mount surface (the rubber washer), as shown on the diagram below.

- The overhang for this player should be 19 mm.



- 3 Tighten the cartridge mount screws to mount the cartridge.



Notes

- After replacing the cartridge, be sure to readjust the horizontal balance, stylus pressure, and anti-skating value.
- The thickness of the terminal depends on the replacement cartridge, and some may not connect securely. In this case, use the included spare lead wire.

Troubleshooting

- If your player is not working properly, use the table below for troubleshooting.
If you cannot resolve the problem, please contact our service center or your sales outlet.

Problem	Check	Remedy
The power is not turned on.	Is the power cord properly connected?	Properly connect the included power cord to a power outlet.
The turntable does not turn.	Is the belt in place?	Check the belt and rollers. If the belt has slipped off the turntable, mount it according to the instructions in Assembly. (Page 4)
	Has the belt been cut?	Check the belt and roller. If the belt has been cut, replace it with a new one.
No sound or small sound.	Are the audio cables properly connected?	Connect the audio cables properly.
	Are the terminals and plugs dirty?	Clean the terminals and plugs before making connections.
	Is the headshell attached properly?	Attach the headshell properly.
The sound is distorted.	Is the equalizer switch in its [LINE] position, even though the player is connected to your amp's PHONO terminal?	When the player is connected to a PHONO terminal, put the equalizer switch in the [PHONO] position.
The sound is extremely quiet.	Is the equalizer switch in its [PHONO] position, even though the player is connected to your amp's AUX terminal?	When connected to the AUX terminal, put the equalizer switch in the [LINE] position. (Be sure to turn the volume on your amp to its minimum before changing the position of the equalizer switch.)
The left and right sound are reversed.	Are the left and right connections for each piece of equipment reversed?	Correctly connect the audio cable and the lead wires of headshell part.
There is a low hum sound (humming or buzzing sound) during playback.	Is there an electric device such as a fluorescent lamp or its power cord near the connection cord?	Place the power cord of the fluorescent lamp or other device as far away as possible.
The stylus tip does not come down on the record.	Is the stylus pressure adjusted properly?	Match the balance weight to the appropriate stylus pressure value for your cartridge.
	Is the arm horizontally balanced?	Turn the balance weight until the tone arm becomes horizontal state.
Stylus jumping occurs.	Is the stylus pressure adjusted properly?	Match the balance weight to the appropriate stylus pressure value for your cartridge.
	Is the record warped or does it have scratches?	Check the condition of the record.
	Does the stylus tip have a lot of dust on it?	Remove the shell with cartridge and use a soft tip brush or writing brush to carefully remove dust, etc. from the stylus tip.
	Is anti-skating adjusted correctly?	Adjust anti-skating correctly.
The arm stops along the way and does not go ahead.	Is the arm height adjusted correctly?	Adjust the arm height correctly.
	Does the record have scratches?	Check the condition of the record.
The arm stops along the way and does not go ahead.	Is the arm coming into contact with something?	Check around the arm. If there is an obstacle, remove it.
	Does the record have scratches?	Check the condition of the record.
Sound volume is low or loud.	Is the connection to the amplifier appropriate for the cartridge type (output)?	Connect the connection cables properly.

Cautions on use

About condensation

Water droplets (condensation) may form inside the unit (on operating parts and lenses) in the winter, for example, if the unit is moved from a cold place into a warm room or if the temperature in the room in which the unit is installed rises suddenly (through heating, etc.). The unit will not operate properly and will not be playable with condensation inside. Let the unit stand for 1 to 2 hours at room temperature (though this time depends on the conditions of the condensation) without turning on the power. The water droplets will evaporate and the unit will become playable. Condensation can occur in the summer as well if the unit is exposed to the direct wind from an air-conditioner, etc. If this happens, move the unit to a different location.

When transporting the unit to another location

Use the original packing materials to pack the unit.

If the original packing materials are not available, be sure to perform the following.

- Detach the turntable sheet and turntable and pack carefully.
- Detach the headshell and balance weight from the arm and pack carefully.
- Use the arm clumper to secure the tone arm and use tape to secure it so that it does not move.
- Wrap the main unit in a blanket or soft paper so that it will not be damaged.

Maintenance of each part

When attaching and detaching the headshell, turn off the power of the amplifier.

If you attempt to do so while the volume is loud, the speaker could be damaged.

- Remove the shell with cartridge and use a soft tip brush or writing brush to carefully remove dust, etc. from the stylus tip.
- Use a good quality record cleaner to clean records.
- Use a soft cloth or something similar to clean the headshell terminal and then reattach it to the tone arm.

Cleaning the dust cover, etc.

Use a soft cloth to clean the dust cover and cabinet.

- Do not clean the dust cover while playing. Static electricity could cause the tone arm to be pulled by the dust cover.

About trademarks and registered trademarks

- Pioneer is a registered trademark of PIONEER CORPORATION.

The names of companies and products mentioned herein are the trademarks of their respective owners.

Specifications

Power requirements	AC 220 V to 240 V, 50 Hz/60 Hz
Power consumption.....	2 W
Main unit weight	5.6 kg
Max. dimensions.....	435 mm (W) × 110 mm (H) × 372.6 mm (D)
Tolerable operating temperature	+5 °C to +35 °C
Tolerable operating humidity	5 % to 85 % (no condensation)

Turntable part

Drive method	Belt drive system
Motor	DC servo motor
Rotation speed	33 1/3 rpm, 45 rpm
Wow and flutter.....	0.1 % or less WRMS (JIS WTD)
S/N ratio.....	60 dB (DIN-B)
Turntable	Aluminum die-casting

Tone arm part

Arm type	Static balance straight type tone arm
Effective length.....	221.5 mm
Overhang	19 mm
Stylus pressure variable range.....	0 g to 4.0 g (1 scale 0.1 g)
Proper cartridge weight.....	4.5 g to 9.5 g (single cartridge)
Cartridge type.....	MM type
Headshell weight	10.0 g (including screws and nuts)

Output voltage

PHONO.....	2.5 mV
LINE.....	150 mV

- The specifications and design of this product are subject to change without notice.
- © 2014 PIONEER HOME ELECTRONICS CORPORATION. All rights reserved.



Si vous souhaitez vous débarrasser de cet appareil, ne le mettez pas à la poubelle avec vos ordures ménagères. Il existe un système de collecte séparé pour les appareils électroniques usagés, qui doivent être récupérés, traités et recyclés conformément à la législation.

Les habitants des états membres de l'UE, de Suisse et de Norvège peuvent retourner gratuitement leurs appareils électroniques usagés aux centres de collecte agréés ou à un détaillant (si vous rachetez un appareil similaire neuf).

Dans les pays qui ne sont pas mentionnés ci-dessus, veuillez contacter les autorités locales pour savoir comment vous pouvez vous débarrasser de vos appareils.

Vous garantirez ainsi que les appareils dont vous vous débarrassez sont correctement récupérés, traités et recyclés et préviendrez de cette façon les impacts néfastes possibles sur l'environnement et la santé humaine.

K058b_A1_Fr

AVERTISSEMENT

Cet appareil n'est pas étanche. Pour éviter les risques d'incendie et de décharge électrique, ne placez près de lui un récipient rempli d'eau, tel qu'un vase ou un pot de fleurs, et ne l'exposez pas à des gouttes d'eau, des éclaboussures, de la pluie ou de l'humidité.

D3-4-2-1-3_A1_Fr

AVERTISSEMENT

Pour éviter les risques d'incendie, ne placez aucune flamme nue (telle qu'une bougie allumée) sur l'appareil.

D3-4-2-1-7a_A1_Fr

Milieu de fonctionnement

Température et humidité du milieu de fonctionnement :

De +5 °C à +35 °C (de +41 °F à +95 °F) ;
Humidité relative inférieure à 85 % (orifices de ventilation non obstrués)

N'installez pas l'appareil dans un endroit mal ventilé ou un lieu soumis à une forte humidité ou en plein soleil (ou à une forte lumière artificielle).

D3-4-2-1-7c*_A1_Fr

ATTENTION

Comme le cordon d'alimentation fait office de dispositif de déconnexion du secteur, il devra être débranché au niveau de la prise secteur pour que l'appareil soit complètement hors tension. Par conséquent, veillez à installer l'appareil de telle manière que son cordon d'alimentation puisse être facilement débranché de la prise secteur en cas d'accident. Pour éviter tout risque d'incendie, le cordon d'alimentation sera débranché au niveau de la prise secteur si vous prévoyez une période prolongée de non utilisation (par exemple avant un départ en vacances).

D3-4-2-2-2a*_A1_Fr

ATTENTION

POUR ÉVITER TOUT RISQUE D'ÉLECTROCUTION, NE PAS ENLEVER LE COUVERCLE (NI LE PANNEAU ARRIÈRE). AUCUNE PIÈCE RÉPARABLE PAR L'UTILISATEUR NE SE TROUVE À L'INTÉRIEUR. CONFIER TOUT ENTRETIEN À UN PERSONNEL QUALIFIÉ UNIQUEMENT.

D3-4-2-1-1_B1_Fr

NOTE IMPORTANTE SUR LE CÂBLE D'ALIMENTATION

Tenir le câble d'alimentation par la fiche. Ne pas débrancher la prise en tirant sur le câble et ne pas toucher le câble avec les mains mouillées. Cela risque de provoquer un court-circuit ou un choc électrique. Ne pas poser l'appareil ou un meuble sur le câble. Ne pas pincer le câble. Ne pas faire de noeud avec le câble ou l'attacher à d'autres câbles. Les câbles d'alimentation doivent être posés de façon à ne pas être écrasés. Un câble abîmé peut provoquer un risque d'incendie ou un choc électrique. Vérifier le câble d'alimentation de temps en temps. Contacter le service après-vente PIONEER le plus proche ou le revendeur pour un remplacement.

S002*_A1_Fr

AVERTISSEMENT

Gardez les pièces de petite taille hors de la portée des bébés et des enfants. En cas d'ingestion accidentelle, veuillez contacter immédiatement un médecin.

D41-6-4_A1_Fr

PRÉCAUTION DE VENTILATION

Lors de l'installation de l'appareil, veillez à laisser un espace suffisant autour de ses parois de manière à améliorer la dissipation de chaleur (au moins 15 cm sur le dessus, 5 cm à l'arrière et 5 cm de chaque côté).

D3-4-2-1-7d*_A1_Fr

Ce produit est destiné à une utilisation domestique générale. Toute panne due à une utilisation autre qu'à des fins privées (comme une utilisation à des fins commerciales dans un restaurant, dans un autocar ou sur un bateau) et qui nécessite une réparation sera aux frais du client, même pendant la période de garantie.

K041_A1_Fr

Nous vous remercions d'avoir acheté ce produit Pioneer. Veuillez lire soigneusement ce mode d'emploi. Vous saurez ainsi comment utiliser votre appareil correctement.

Table des matières

01 Avant de commencer

Caractéristiques.....	4
Vérification du contenu de la boîte.....	4
Montage	4

02 Fonctionnement

Noms et fonctions des éléments	6
Réglage.....	6
Raccordement de votre équipement.....	7
Lecture.....	8
Pause de la lecture	8
Fin de la lecture.....	8
Informations supplémentaires.....	8

03 Divers

Guide de dépannage	10
Précautions d'emploi	10
Entretien de chaque élément	11
À propos des marques commerciales et des marques déposées.....	11
Spécifications	11

Caractéristiques

Platine entièrement automatique et simple d'emploi

Après avoir sélectionné le format du disque, il vous suffit d'appuyer sur la touche [START] pour lancer la lecture. À la fin du disque, le bras de lecture reprend automatiquement sa place.

Lecture stable des disques grâce au centre de gravité bas du châssis

Une plaque de métal installée à la base de la platine abaisse le centre de gravité du châssis. Ceci lui confère une grande stabilité pendant la lecture des disques, même en présence de vibrations externes.

Égaliseur phono intégré commutable

Équipée de son propre égaliseur phono, la platine peut être raccordée directement à des amplis ne disposant pas d'une prise PHONO. Si vous utilisez un ampli doté d'un égaliseur phono, cette fonction peut être désactivée.

Platine livrée avec une cellule MM hautes performances

La platine étant livrée avec une cellule, vous pouvez l'utiliser tout de suite.

Platine livrée avec un tapis caoutchouc d'épaisseur moyenne

D'une épaisseur de 5 mm, le tapis en caoutchouc supprime les vibrations externes tout en améliorant l'adhérence entre le disque et le plateau, pour une lecture stable.

Design discret

L'apparence et la finition de cette platine créent une ambiance sereine qui s'harmonisera avec vos appareils ainsi qu'avec votre intérieur.

Cordon d'alimentation amovible

Les câbles ne sont pas des obstacles lorsque l'on déplace la platine, empêchant ainsi des problèmes de déconnexion.

Vérification du contenu de la boîte

Veuillez vérifier que vous avez reçu tous les accessoires suivants :

- Plateau
- Couvre-plateau
- Capot anti-poussière avec charnières amovibles
- Adaptateur pour disque 45 tours
- Contrepoids d'équilibrage
- Porte-cellule avec cellule
- Fils conducteurs de rechange
- Cordon d'alimentation
- Mode d'emploi (ce document)
- Feuille de garantie

AVERTISSEMENT

Gardez les pièces de petite taille hors de la portée des bébés et des enfants. En cas d'ingestion accidentelle, veuillez contacter immédiatement un médecin.

D41-6-4_A1_Fr

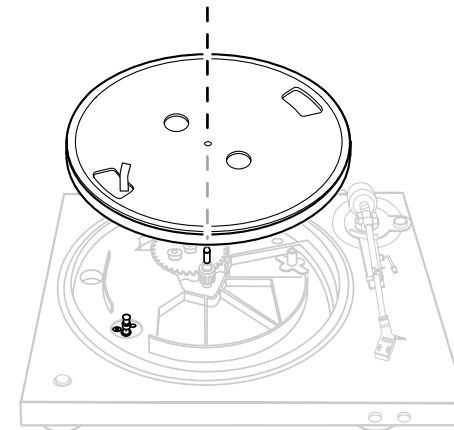
Montage

- Ne retirez pas le lien qui maintient le bras de lecture immobile avant d'avoir terminé le montage.
- Lorsque le montage de la platine est terminé et que tous les autres appareils ont été raccordés, vous pouvez brancher le cordon d'alimentation.

1 Positionnez le plateau.

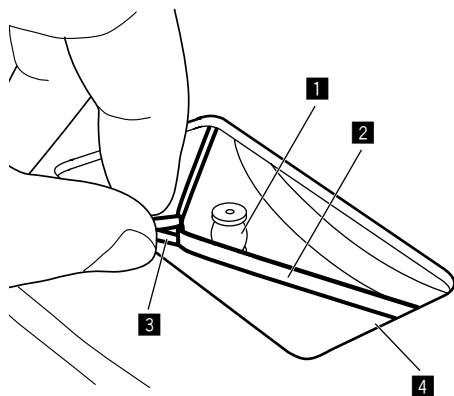
Positionnez le plateau sur l'axe central.

- Veillez à ne pas heurter le plateau sur l'appareil principal ou à ne pas le laisser tomber.



- ### 2 Tournez le plateau de telle sorte que le galet soit visible à travers le trou carré sur lequel se trouve le ruban permettant d'accrocher la courroie.

3 Pincez le ruban et accrochez la courroie à l'extérieur du galet, au centre de celui-ci.



- 1 Galet
- 2 Courroie
- 3 Ruban
- 4 Trou carré

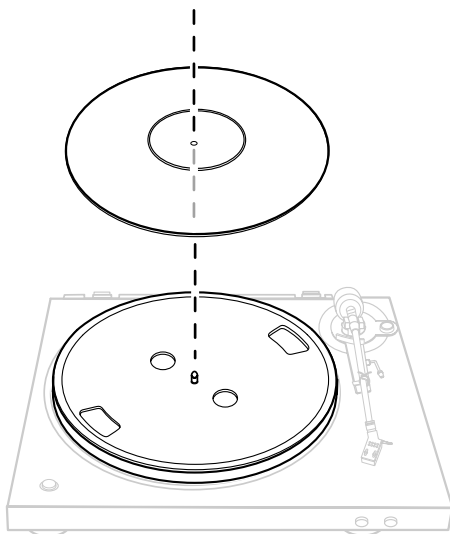
4 Retirez le ruban.

5 Faites tourner le plateau lentement de cinq ou six tours.

Vérifiez que la courroie est bien accrochée au centre du galet.

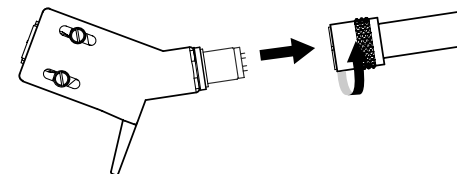
6 Positionnez le couvre-plateau.

- Le tapis du plateau présente deux faces. Posez le tapis sur le plateau de telle sorte que la face inférieure, qui porte le logo Pioneer, soit tournée vers le bas.



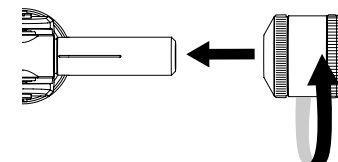
7 Fixez le porte-cellule.

Insérez le porte-cellule avec la cellule installée dans le bras de lecture. Ensuite, serrez l'écrou de blocage tout en maintenant le porte-cellule à l'horizontale.



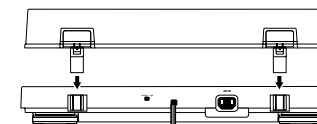
8 Fixez le contrepoids d'équilibrage.

Fixez le contrepoids d'équilibrage sur l'arbre arrière du bras de lecture.



9 Montez le capot anti-poussière.

Insérez fermement les charnières du capot anti-poussière dans leurs supports à l'arrière de la platine.



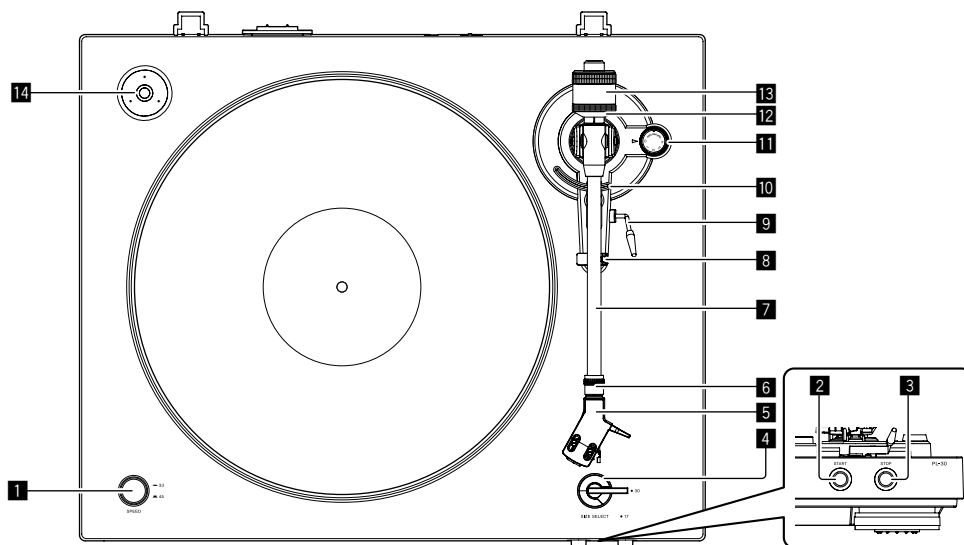
- Insérez entièrement les deux charnières.
- Pour retirer le capot anti-poussière, ouvrez-le entièrement puis soulevez-le en le tenant près des guides de retenue des charnières.

10 Retirez le lien qui maintient le bras de lecture immobile.

Après avoir terminé le montage, retirez le lien qui maintient le bras de lecture immobile.

Noms et fonctions des éléments

Panneau supérieur



1 Touche SPEED

Change la vitesse en fonction du disque à lire.

2 Touche START

L'appui sur cette touche démarre la rotation du plateau.

3 Touche STOP

L'appui sur cette touche arrête la rotation du plateau.

4 Levier SIZE SELECT

Change le format en fonction du disque à lire.

5 Porte-cellule

Utilisé avec une cellule installée.

6 Écrou de blocage

Maintient la cellule en place.

7 Bras de lecture

8 Repose-bras

Sert de support pour le bras de lecture.

9 Levier de levage

Le bras de lecture monte lorsque l'on tire le levier vers le haut. Le bras de lecture descend lorsque l'on pousse le levier vers le bas.

10 Système de levage du bras

Ce dispositif est utilisé pour déplacer le bras de lecture de haut en bas. Il est commandé par le levier de levage.

11 Molette ANTI-SKATING

Pendant la lecture d'un disque, une force attire l'extrémité de la pointe de lecture vers l'intérieur du disque. En faisant correspondre cette molette à la valeur de la pression de la pointe de lecture, on supprime cette force.

12 Bague de réglage de la pression de la pointe de lecture

Permet de faire correspondre la pression de la pointe de lecture appropriée de la cellule.

13 Contrepoids d'équilibrage

Permet d'équilibrer le bras de lecture et de régler la pression de la pointe de lecture.

14 Adaptateur pour disque 45 tours

Permet de lire des disques 45 tours standard.

Réglage

Réglage de l'équilibre du bras de lecture

Préparez comme suit :

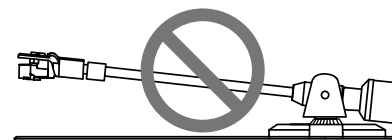
- Pour les cellules avec couvercles de pointe de lecture amovibles, retirez le couvercle de la pointe de lecture.
- Poussez le levier de levage vers le bas.

1 Réglez la molette [ANTI-SKATING] sur "0".

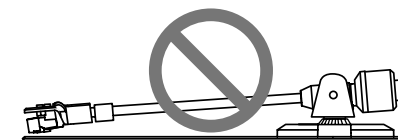
2 Éloignez le bras de lecture du repose-bras et réglez l'équilibre pour qu'il soit horizontal.

Tournez le contrepoids d'équilibrage jusqu'à ce que le bras de lecture devienne presque horizontal.

- Lors du déplacement du bras de lecture, assurez-vous que l'extrémité de la pointe de lecture ne touche pas directement le plateau ou autre chose.



Contrepoids d'équilibrage trop reculé

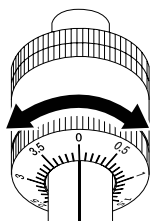


Contrepoids d'équilibrage trop avancé

Réglage de la pression de la pointe de lecture

- 1 Remplacez le bras de lecture sur le repose-bras.
- 2 Faites correspondre le "0" sur la bague de réglage de la pression de la pointe de lecture avec la ligne médiane de l'arbre arrière du bras de lecture.

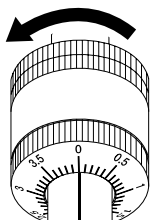
Tournez uniquement la bague de réglage de la pression de la pointe de lecture de sorte que le chiffre "0" soit sur la ligne médiane noire de l'arbre arrière du bras de lecture tout en maintenant le contrepois d'équilibrage avec votre doigt pour l'empêcher de bouger.



3 Réglez la pression de la pointe de lecture.

Tournez le contrepois d'équilibrage pour faire le réglage sur la valeur de la pression de la pointe de lecture appropriée pour votre cellule.

- Lorsque vous tournez le contrepois d'équilibrage, la bague de réglage de la pression de la pointe de lecture tourne en même temps. Tout en observant la bague de réglage, réglez la pression de la pointe de lecture à la valeur appropriée.
- La pression de la pointe de lecture appropriée pour la cellule fournie est de 3,5 g. Le réglage à retenir est donc "3,5".

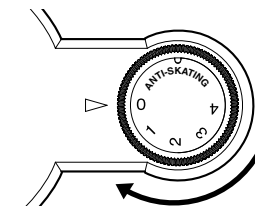


Réglage de l'antipatinage

Ce réglage permet d'empêcher la pointe de lecture de sauter.

- 1 Faites correspondre à la même position de la graduation que la valeur de la pression de la pointe de lecture.

- 2 Tournez la molette [ANTI-SKATING] pour faire coïncider le repère avec la même valeur que la pression de la pointe de lecture de la cellule.

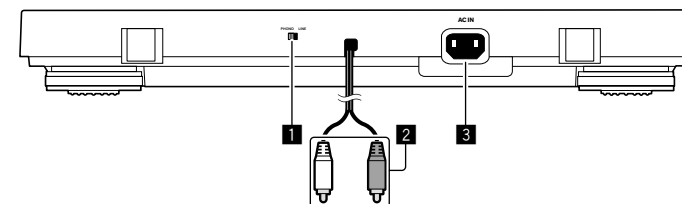


Raccordement de votre équipement

Raccordement de votre équipement

- Veillez à toujours éteindre les appareils et à débrancher le cordon d'alimentation de la prise secteur avant de raccorder un appareil ou de changer les connexions.
- Reportez-vous au mode d'emploi de l'appareil devant être raccordé.
- Lorsque tous les appareils ont été raccordés, vous pouvez brancher le cordon d'alimentation.

Descriptions des prises



1 Commutateur de l'égaliseur

Placez ce commutateur dans la position appropriée en fonction de la prise d'entrée audio du préamplificateur principal ou de l'autre composant utilisé.

2 Prises de sortie RCA

À relier à la prise d'entrée audio du préamplificateur principal ou de l'autre composant utilisé.

3 Prise AC IN

À relier à une prise d'alimentation avec le cordon d'alimentation fourni. Avant de brancher le cordon d'alimentation, assurez-vous que tous les autres appareils sont raccordés.

- Veillez à utiliser le cordon d'alimentation fourni.

Raccordement à un préamplificateur principal et à un composant

1 Placez le commutateur de l'égaliseur dans la position appropriée.

PHONO : pour une connexion à la prise d'entrée PHONO (l'égaliseur intégré à la platine n'est pas utilisé).

LINE : pour une connexion à une prise autre que la prise d'entrée PHONO (l'égaliseur intégré à la platine est utilisé).

2 Reliez la prise de sortie RCA à la prise d'entrée du préamplificateur principal ou de l'autre composant utilisé.

3 Branchez le cordon d'alimentation.

À relier à une prise d'alimentation avec le cordon d'alimentation fourni. Avant de brancher le cordon d'alimentation, assurez-vous que tous les autres appareils sont raccordés.

- Avant de raccorder à la prise (prise secteur) de l'équipement raccordé, vérifiez la puissance affichée sur la prise. (Cet appareil consomme 2 W de puissance.)
- Si la platine commence à fonctionner lorsque vous branchez le cordon d'alimentation, appuyez sur la touche [STOP].

Emplacement de l'appareil

Placez l'appareil sur une surface plane qui n'est pas soumise aux vibrations externes.

- Dans la mesure du possible, gardez l'appareil éloigné du système de haut-parleurs.
- Lorsque l'appareil est très proche d'une radio (radiodiffusion AM/FM), celle-ci pourrait générer du bruit. Gardez l'appareil le plus éloigné possible.

Lecture

Préparez comme suit :

- Placez un disque sur le plateau.
- Retirez le couvercle de la pointe de lecture tout en veillant à ne pas toucher l'extrémité de la pointe de lecture.

1 Appuyez sur la touche [SPEED] pour choisir la vitesse de lecture du disque.

Pour lire des 45 tours, placez la touche en position haute [■] ; pour les disques 33 1/3 tours, la touche doit être en position enfoncée [■].

- Pour lire un disque 45 tours standard, placez l'adaptateur pour disque 45 tours sur l'axe central.

2 Utilisez le levier [SIZE SELECT] pour choisir le format du disque.

Pour lire des disques de 17 cm, placez le levier en position [17] ; pour les disques de 30 cm, placez le levier en position [30].

- Pour lire un disque 45 tours standard, placez l'adaptateur pour disque 45 tours sur l'axe central.

3 Appuyez sur la touche [START] pendant au moins 1 seconde.

Le plateau commence à tourner et la lecture démarre automatiquement.

- À la fin du disque, le bras de lecture reprend sa position d'origine et le plateau cesse automatiquement de tourner.
- Dès que vous avez fini d'écouter des disques, mettez en place le couvercle de la pointe de lecture pour protéger l'extrémité de la pointe de lecture.
- Cet appareil possède une fonction de retour automatique qui renvoie automatiquement le bras de lecture dans sa position d'origine dès qu'un point spécifique est atteint à la fin de la lecture d'un disque. Ceci ne pose pas de problèmes avec les disques de format habituel. Toutefois, avec certains disques qui comportent des sillons jusqu'à cet endroit, la fonction de retour automatique peut s'enclencher avant que la lecture ne soit terminée.



Remarques

- Ne touchez pas au bras de lecture ou au plateau et n'éteignez pas l'appareil pendant la lecture d'un disque.
- Le système de lecture automatique ne fonctionne pas pour les disques de 25 cm. Dans ce cas, utilisez l'appareil manuellement. Si le bras de lecture ne reprend pas sa position d'origine à la fin de la lecture, appuyez sur la touche [STOP].

Pause de la lecture

Tirez le levier de levage vers le haut.

La pointe de lecture de la cellule se soulève du disque.

- Pour reprendre la lecture, poussez le levier de levage vers le bas.

Fin de la lecture

1 Tirez le levier de levage vers le haut pour ramener le bras de lecture sur le repose-bras, puis poussez le levier de levage vers le bas.

2 Appuyez sur la touche [STOP].

- Dès que vous avez fini d'écouter des disques, mettez en place le couvercle de la pointe de lecture pour protéger l'extrémité de la pointe de lecture.

Informations supplémentaires

Remplacement de la pointe de lecture

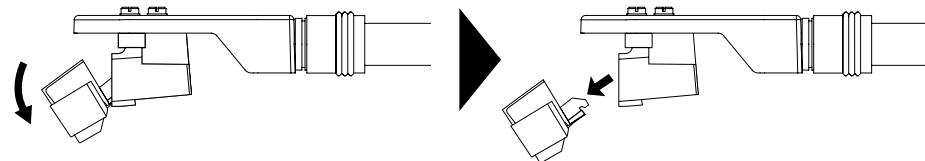
La pointe de lecture fournie a une durée de vie utile d'environ 400 heures. Pour éviter d'endommager de précieux disques, remplacez la pointe de lecture sans tarder. Achetez une pointe de lecture de rechange dans le magasin où vous avez fait l'acquisition de la platine ou chez le réparateur le plus proche. Précisez que vous voulez une pointe de lecture de rechange exclusivement prévue pour PL-30-K.

- Avant de procéder au remplacement de la pointe de lecture, éteignez l'amplificateur et débranchez le cordon d'alimentation de la platine.
- L'extrémité de la pointe de lecture est une pièce extrêmement délicate : manipulez-la avec grand soin. Utilisez un pinceau souple pour enlever doucement les éventuelles poussières de l'extrémité de la pointe de lecture.
- Le retrait du porte-cellule facilitera le remplacement de la pointe de lecture.

Retrait de la pointe de lecture remplaçable

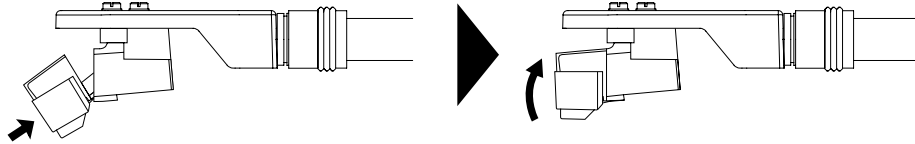
1 D'une main, tenez fermement la cellule. De l'autre, saisissez la pointe de lecture remplaçable et poussez-la vers le bas.

2 Retirez doucement la pointe de lecture dans le sens indiqué par la flèche.



Mise en place de la pointe de lecture remplaçable

- 1 D'une main, tenez fermement la cellule. De l'autre, saisissez la pointe de lecture remplaçable, orientez la fixation de la pointe de lecture remplaçable dans la rainure de la cellule et insérez-la à fond.
- 2 Poussez vers le haut dans le sens indiqué par la flèche jusqu'à ce que vous entendiez un dé clic.



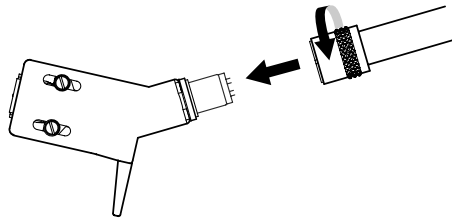
Remplacement de la cellule

Si vous souhaitez équiper cette platine d'une cellule différente, choisissez une cellule pesant entre 4,5 g et 9,5 g environ.

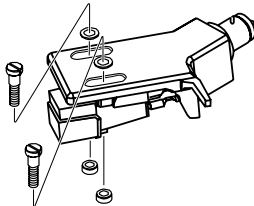
Pour acheter un porte-cellule seul, adressez-vous au magasin où vous avez fait l'acquisition de votre platine ou au réparateur le plus proche et demandez une pièce exclusivement prévue pour PL-30-K.

Retrait de la cellule

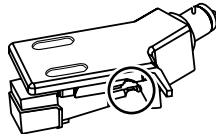
- 1 Tournez l'écrou de blocage et retirez le porte-cellule.



- 2 Desserrez les vis de fixation de la cellule et ôtez-les.



- 3 Débranchez les fils conducteurs du côté de la cellule.

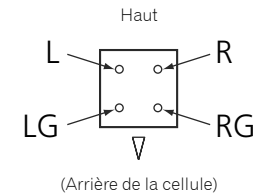


Mise en place de la cellule

- 1 Raccordez les fils conducteurs.

Ces fils comportent un code couleur, comme indiqué ci-dessous. Veillez à les raccorder correctement.

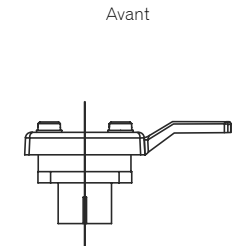
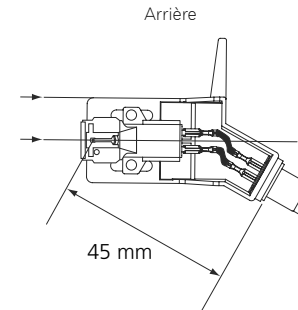
Couleur	Fonction
Rouge	Canal droit (R)
Blanc	Canal gauche (L)
Vert	Masse du canal droit (RG)
Bleu	Masse du canal gauche (LG)



- 2 Fixez la cellule.

Pour obtenir le surplomb voulu, fixez la cellule de telle sorte que l'extrémité de la pointe de lecture soit positionnée à 45 mm environ du bord de la surface de montage du porte-cellule (la rondelle en caoutchouc), comme le montre le schéma ci-dessous.

- Sur cette platine, le surplomb doit être de 19 mm.



- 3 Serrez les vis de fixation de la cellule.

Remarques

- Après avoir remplacé la cellule, n'oubliez pas de régler l'équilibre horizontal, la pression de la pointe de lecture et la valeur de l'antipatinage.
- L'épaisseur de la borne dépend de la cellule de rechange. Certaines cellules peuvent ne pas se connecter correctement. Dans ce cas, utilisez le fil conducteur de rechange fourni.

Guide de dépannage

- Si votre platine ne fonctionne pas correctement, utilisez le tableau ci-dessous pour déterminer l'origine de la panne.
Si vous ne parvenez pas à résoudre le problème, adressez-vous à notre service après-vente ou à votre revendeur.

Problème	Vérification	Solution
L'appareil ne s'allume pas.	Est-ce que le cordon d'alimentation est correctement raccordé ?	Branchez correctement le cordon d'alimentation fourni sur une prise d'alimentation.
Le plateau ne tourne pas.	La courroie est-elle bien en place ?	Vérifiez la courroie et le galet. Si la courroie a glissé et s'est détachée, remontez-la comme indiqué au paragraphe Montage. (Page 4)
	La courroie est-elle coupée ?	Vérifiez la courroie et le galet. Si la courroie est coupée, remplacez-la par une courroie neuve.
Aucun son ou son faible.	Est-ce que les câbles audio sont correctement raccordés ?	Raccordez correctement les câbles audio.
	Est-ce que les prises et fiches sont sales ?	Nettoyez les prises et les fiches avant d'effectuer les raccordements.
	Est-ce que le porte-cellule est correctement fixé ?	Fixez correctement le porte-cellule.
Le son est déformé.	Est-ce que le commutateur de l'égaliseur est en position [LINE] alors que la platine est reliée à la prise PHONO de votre ampli ?	Si la platine est reliée à une prise PHONO, placez le commutateur de l'égaliseur en position [PHONO] .
Le son est à peine perceptible.	Est-ce que le commutateur de l'égaliseur est en position [PHONO] alors que la platine est reliée à la prise AUX de votre ampli ?	Si la platine est reliée à une prise AUX, placez le commutateur de l'égaliseur en position [LINE] . (Veillez à régler le volume de votre ampli au minimum avant de changer la position du commutateur de l'égaliseur.)
Les sons de droite et de gauche sont inversés.	Les connexions gauche et droite de chaque appareil sont-elles inversées ?	Raccordez correctement le câble audio et les fils conducteurs du porte-cellule.
Il y a un faible bruit de fond (bourdonnement) pendant la lecture.	Y a-t-il un appareil électrique, tel qu'une lampe fluorescente, ou son cordon d'alimentation près du câble de connexion ?	Placez le cordon d'alimentation de la lampe fluorescente ou tout autre appareil aussi loin que possible.
L'extrémité de la pointe de lecture ne s'abaisse pas sur le disque.	La pression de la pointe de lecture est-elle correctement réglée ?	Faites correspondre le contrepoids d'équilibrage avec la valeur de la pression de la pointe de lecture appropriée pour votre cellule.
	Le bras est-il équilibré horizontalement ?	Tournez le contrepoids d'équilibrage jusqu'à ce que le bras de lecture devienne horizontal.

Problème	Vérification	Solution
La pointe de lecture saute.	La pression de la pointe de lecture est-elle correctement réglée ?	Faites correspondre le contrepoids d'équilibrage avec la valeur de la pression de la pointe de lecture appropriée pour votre cellule.
	Le disque est-il déformé ou a-t-il des rayures ?	Vérifiez l'état du disque.
	L'extrémité de la pointe de lecture est-elle très poussiéreuse ?	Retirez le porte-cellule avec la cellule installée et utilisez une petite brosse souple ou un pinceau pour enlever soigneusement la poussière, etc. de l'extrémité de la pointe de lecture.
	L'antipatinage est-il réglé correctement ?	Réglez l'antipatinage correctement.
Le bras s'arrête en cours de lecture et n'avance plus.	La hauteur du bras est-elle réglée correctement ?	Réglez la hauteur du bras correctement.
	Y a-t-il des rayures sur le disque ?	Vérifiez l'état du disque.
Le volume sonore est faible ou fort.	Le bras est-il en contact avec quelque chose ?	Vérifiez autour du bras. Retirez l'obstacle, le cas échéant.
	La connexion à l'amplificateur est-elle appropriée pour le type de cellule (sortie) ?	Raccordez correctement les câbles de liaison.

Précautions d'emploi

À propos de la condensation

Des gouttelettes d'eau (condensation) peuvent se former à l'intérieur de l'appareil (sur les pièces et les lentilles) en hiver, par exemple, si vous transportez sans transition l'appareil d'un endroit froid dans une pièce chaude, ou si la température de la pièce où se trouve l'appareil augmente rapidement (un appareil de chauffage, par exemple, est mis en marche). Cet appareil ne fonctionne pas correctement et la lecture n'est pas possible si de la condensation s'est formée à l'intérieur. Laissez l'appareil éteint pendant 1 ou 2 heures à la température ambiante (selon l'intensité de la condensation). Les gouttelettes d'eau s'évaporeront et la lecture sera de nouveau possible. De la condensation peut aussi se former en été si l'appareil est exposé à l'air d'un climatiseur, etc. Dans ce cas, installez l'appareil à un autre endroit.

Lors du transport de l'appareil à un autre endroit

Utilisez les matériaux d'emballage d'origine pour emballer l'appareil.

Si vous ne disposez pas des matériaux d'emballage d'origine, effectuez sans faute les opérations suivantes.

- Démontez le couvre-plateau et le plateau et emballez-les soigneusement.
- Démontez le porte-cellule et le contrepoids d'équilibrage du bras et emballez-les soigneusement.
- Utilisez le serre-bras pour fixer le bras de lecture et utilisez du ruban adhésif pour le maintenir fermement en place.
- Enveloppez l'appareil principal dans une couverture ou du papier souple pour ne pas l'endommager.

Entretien de chaque élément

Lors du montage et du démontage du porte-cellule, éteignez l'amplificateur.

Tenter d'effectuer une telle opération alors que le volume est fort pourrait provoquer l'endommagement du haut-parleur.

- Retirez le porte-cellule avec la cellule installée et utilisez une petite brosse souple ou un pinceau pour enlever soigneusement la poussière, etc. de l'extrémité de la pointe de lecture.
- Utilisez un nettoyant pour disques de bonne qualité pour nettoyer les disques.
- Utilisez un chiffon doux ou quelque chose de similaire pour nettoyer la borne du porte-cellule, puis fixez-le à nouveau au bras de lecture.

Nettoyage du capot anti-poussière, etc.

Utilisez un chiffon doux pour nettoyer le capot anti-poussière et le boîtier.

- Ne nettoyez pas le capot anti-poussière pendant la lecture. Le bras de lecture pourrait être attiré par le capot anti-poussière à cause de l'électricité statique.

À propos des marques commerciales et des marques déposées

- Pioneer est une marque déposée de PIONEER CORPORATION.

Les noms de sociétés et de produits mentionnés ici sont des marques commerciales de leurs détenteurs respectifs.

Spécifications

Alimentation.....	CA 220 V à 240 V, 50 Hz/60 Hz
Consommation.....	2 W
Poids de l'appareil principal.....	5,6 kg
Dimensions maximales.....	435 mm (L) × 110 mm (H) × 372,6 mm (P)
Température de fonctionnement tolérée.....	+5 °C à +35 °C
Humidité de fonctionnement tolérée.....	5 % à 85 % (sans condensation)

Plateau

Méthode d'entraînement.....	Système d'entraînement par courroie
Moteur.....	Servomoteur à courant continu
Vitesse de rotation.....	33 1/3 tr/min, 45 tr/min
Fluctuation de vitesse.....	0,1 % ou moins WRMS (JIS WTD)
Rapport S/B.....	60 dB (DIN-B)
Plateau.....	Aluminium moulé

Bras de lecture

Type de bras.....	Bras de lecture de type droit, équilibrage statique
Longueur effective.....	221,5 mm
Surplomb.....	19 mm
Plage variable de la pression de la pointe de lecture.....	0 g à 4,0 g (1 graduation 0,1 g)
Poids de la cellule approprié.....	4,5 g à 9,5 g (une cellule)
Type de cellule.....	Type MM
Poids du porte-cellule.....	10,0 g (y compris les vis et écrous)

Tension de sortie

PHONO.....	2,5 mV
LINE.....	150 mV

- Les caractéristiques et la présentation peuvent être modifiées, sans avis préalable, dans un souci d'amélioration.
- © 2014 PIONEER HOME ELECTRONICS CORPORATION. Tous droits de reproduction et de traduction réservés.



Mischen Sie dieses Produkt, wenn Sie es entsorgen wollen, nicht mit gewöhnlichen Haushaltsabfällen. Es gibt ein getrenntes Sammelsystem für gebrauchte elektronische Produkte, über das die richtige Behandlung, Rückgewinnung und Wiederverwertung gemäß der bestehenden Gesetzgebung gewährleistet wird.

Privathaushalte in den Mitgliedsstaaten der EU, in der Schweiz und in Norwegen können ihre gebrauchten elektronischen Produkte an vorgesehenen Sammeleinrichtungen kostenfrei zurückgeben oder aber an einen Händler zurückgeben (wenn sie ein ähnliches neues Produkt kaufen).

Bitte wenden Sie sich in den Ländern, die oben nicht aufgeführt sind, hinsichtlich der korrekten Verfahrensweise der Entsorgung an die örtliche Kommunalverwaltung.

Auf diese Weise stellen Sie sicher, dass das zu entsorgende Produkt der notwendigen Behandlung, Rückgewinnung und Wiederverwertung unterzogen wird, und so mögliche negative Einflüsse auf die Umwelt und die menschliche Gesundheit vermieden werden.

K058b_A1_De

WARNUNG

Dieses Gerät ist nicht wasserdicht. Zur Vermeidung der Gefahr von Brand und Stromschlag keine Behälter mit Flüssigkeiten (z.B. Blumenvasen und -töpfe) in die Nähe des Gerätes bringen und dieses vor Tropfwasser, Spritzwasser, Regen und Nässe schützen.

D3-4-2-1-3_A1_De

WARNUNG

Keine Quellen offener Flammen (z.B. eine brennende Kerze) auf dieses Gerät stellen.

D3-4-2-1-7a_A1_De

Betriebsumgebung

Betriebstemperatur und Betriebsluftfeuchtigkeit:

+5 °C bis +35 °C, 85 % rel. Feuchte max. (Ventilationsschlitze nicht blockiert)

Eine Aufstellung dieses Gerät an einem unzureichend belüfteten, sehr feuchten oder heißen Ort ist zu vermeiden, und das Gerät darf weder direkter Sonneneinstrahlung noch starken Kunstlichtquellen ausgesetzt werden.

D3-4-2-1-7c*_A1_De

ACHTUNG

Daher sollte das Gerät so aufgestellt werden, dass stets ein unbehinderter Zugang zur Netzsteckdose gewährleistet ist, damit der Netzstecker in einer Notsituation sofort abgezogen werden kann. Um Brandgefahr auszuschließen, sollte der Netzstecker vor einem längeren Nichtgebrauch des Gerätes, beispielsweise während des Urlaubs, grundsätzlich von der Netzsteckdose getrennt werden.

D3-4-2-2-2a*_A1_De

ACHTUNG

UM SICH NICHT DER GEFAHR EINES ELEKTRISCHEN SCHLAGES AUSZUSETZEN, DÜRFEN SIE NICHT DEN DECKEL (ODER DIE RÜCKSEITE) ENTFERNEN. IM GERÄTEINNEREN BEFINDEN SICH KEINE VOM BENUTZER REPARIERBAREN TEILE. ÜBERLASSEN SIE REPARATUREN DEM QUALIFIZIERTEN KUNDENDIENST.

D3-4-2-1-1_B1_De

VORSICHT MIT DEM NETZKABEL

Fassen Sie das Netzkabel immer am Stecker. Ziehen Sie nicht am Kabel selbst, und fassen Sie das Netzkabel niemals mit nassen Händen an, da dies einen Kurzschluss oder elektrischen Schlag verursachen kann. Stellen Sie nicht das Gerät, Möbelstücke o.ä. auf das Netzkabel; sehen Sie auch zu, dass es nicht eingeklemmt wird. Machen Sie niemals einen Knoten in das Netzkabel, und binden Sie es nicht mit anderen Kabeln. Das Netzkabel sollte so gelegt werden, dass niemand darauf tritt. Ein beschädigtes Netzkabel kann einen Brand oder elektrischen Schlag verursachen. Prüfen Sie das Netzkabel von Zeit zu Zeit. Sollte es beschädigt sein, wenden Sie sich an Ihre nächste autorisierte PIONEER-Kundendienststelle oder Ihren Händler, um es zu ersetzen.

S002*_A1_De

WARNUNG

Kleine Teile außerhalb der Reichweite von Kleinkindern und Kindern aufbewahren. Bei unbeabsichtigtem Verschlucken ist unverzüglich ein Arzt aufzusuchen.

D41-6-4_A1_De

VORSICHTSHINWEIS ZUR BELÜFTUNG

Bei der Aufstellung dieses Gerätes muss für einen ausreichenden Freiraum gesorgt werden, um eine einwandfreie Wärmeabfuhr zu gewährleisten (mindestens 15 cm oberhalb des Gerätes, 5 cm hinter dem Gerät und jeweils 5 cm an der Seite des Gerätes).

D3-4-2-1-7d*_A1_De

Dieses Gerät ist für den Heimgebrauch vorgesehen. Falls bei Einsatz zu einem anderem Zweck (z.B. Langzeitgebrauch zu gewerblichen Zwecken in einem Restaurant oder Betrieb in einem Fahrzeug bzw. Schiff) eine Funktionsstörung auftritt, die eine Reparatur des Gerätes erforderlich macht, werden die Reparaturkosten dem Kunden selbst dann in Rechnung gestellt, wenn die Garantiefrist noch nicht abgelaufen ist.

K041_A1_De

Herzlichen Glückwunsch zum Kauf dieses Pioneer-Produkts. Lesen Sie sich diese Bedienungshinweise sorgfältig durch, um sich mit der Bedienung Ihres Geräts vertraut zu machen.

Inhaltsverzeichnis

01 Vor der Inbetriebnahme

Merkmale.....	4
Überprüfung des Verpackungsinhalts	4
Montage	4

02 Bedienung

Bezeichnungen und Funktionen der Bauteile.....	6
Einstellung	6
Anschluss der Geräte.....	7
Wiedergabe.....	8
Anhalten der Wiedergabe.....	8
Beenden der Wiedergabe	8
Zusätzliche Informationen	8

03 Sonstiges

Fehlersuche.....	10
Vorsichtshinweise	10
Wartung der einzelnen Teile.....	10
Warenzeichen und eingetragene Warenzeichen.....	11
Technische Daten.....	11

Merkmale

Einfach zu bedienender, vollautomatischer Plattenspieler

Sie wählen die Größe der Schallplatte aus und starten mit der [START]-Taste den Abspielvorgang. Der Tonarm kehrt nach dem Abspielen der Schallplatte vollautomatisch in die Ausgangsstellung zurück.

Stabile Wiedergabe durch niedrigen Gehäuseschwerpunkt

Eine Metallplatte im Gehäuseboden senkt den Schwerpunkt des gesamten Gehäuses und stabilisiert den Abspielvorgang auch dann, wenn Schwingungen von außen an das Gerät getragen werden.

Mit zuschaltbarem Equalizer

Der Equalizer ermöglicht den direkten Anschluss des Plattenspielers an Verstärker ohne PHONO-Buchse. Die Funktion ist abschaltbar für den Fall, dass der Verstärker selbst eine entsprechende Vorstufe besitzt.

Mit hochwertigem MM-Tonabnehmer

Durch den beinhaltenen Tonabnehmer ist Ihr Plattenspieler sofort einsatzbereit.

Mit mittelstarker Gummimatte

Die 5 mm starke Gummimatte unterdrückt äußere Schwingungen und stabilisiert die Wiedergabe, indem sie die Haftung zwischen Schallplatte und Plattenteller verbessert.

Unaufdringliches Design

Das in Optik und Flächengestaltung in sich ausgewogene und dezente Design des Plattenspielers harmonisiert unschwer mit anderen Komponenten Ihrer Anlage und Objekten im Raum.

Abtrennbares Netzkabel

Gegen umständliches Kabelwarr – das Kabel kann zum Versetzen des Plattenspielers direkt am Gerät getrennt werden.

Überprüfung des Verpackungsinhalts

Überprüfen Sie bitte, ob Sie das folgende mitgelieferte Zubehör vollständig erhalten haben:

- Plattenteller
- Plattentellerauflage
- Abdeckhaube mit abnehmbaren Scharnieren
- Adapter für EPs
- Gegengewicht
- Tonabnehmerkopf mit Tonabnehmer
- Ersatzkabeldrähte
- Netzkabel
- Bedienungsanleitung (dieses Dokument)
- Garantieblatt

WARNUNG

Kleine Teile außerhalb der Reichweite von Kleinkindern und Kindern aufbewahren. Bei unbeabsichtigtem Verschlucken ist unverzüglich ein Arzt aufzusuchen.

D41-6-4_A1_De

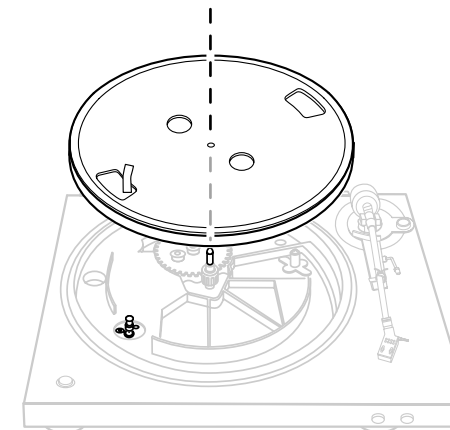
Montage

- Entfernen Sie den Drahtbinder am Tonarm erst, nachdem der Plattenspieler fertig zusammengebaut ist.
- Schließen Sie das Netzkabel erst an, nachdem der Plattenspieler zusammengebaut und alle Anschlüsse zu anderen Geräten hergestellt wurden.

1 Montieren Sie den Plattenteller.

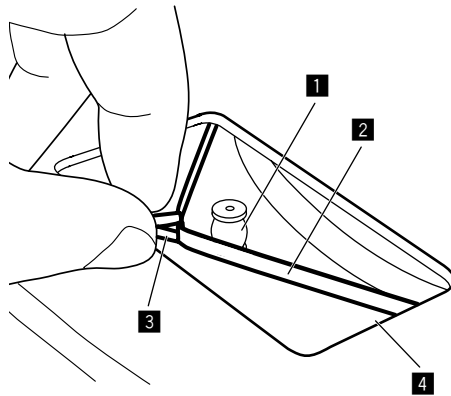
Setzen Sie den Plattenteller auf den Plattenstift.

- Setzen Sie den Plattenteller sanft auf dem Hauptgerät ab, und lassen Sie den Plattenteller auch sonst nicht fallen.



- 2 Drehen Sie den Plattenteller so, dass durch das viereckige Loch mit dem Bändchen zum Greifen des Riemens die Rolle sichtbar ist.

3 Greifen Sie mit dem Bändchen den Riemen, und setzen Sie den Riemen mittig außen um die Rolle.



- 1 Rolle
- 2 Riemen
- 3 Bändchen
- 4 Viereckiges Loch

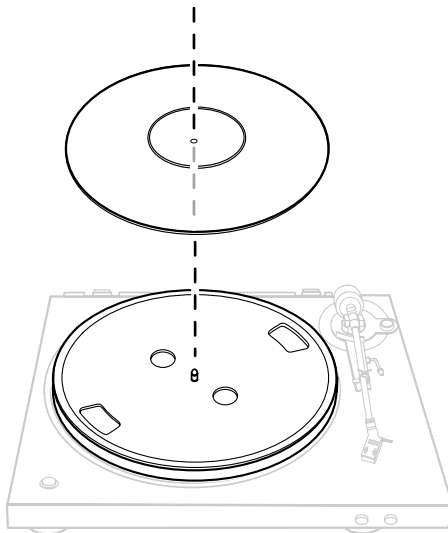
4 Nehmen Sie das Bändchen ab.

5 Drehen Sie den Plattenteller langsam fünf oder sechs Umdrehungen.

Prüfen Sie, dass der Riemen richtig in der Mitte der Rolle sitzt.

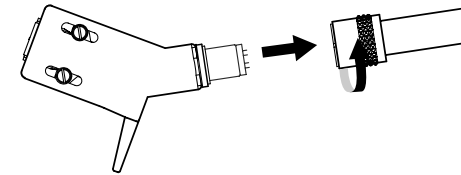
6 Legen Sie die Plattentellerauflage auf.

- Die Matte hat eine Ober- und eine Unterseite. Legen Sie die Matte mit dem Pioneer-Logo nach unten auf den Plattenteller.



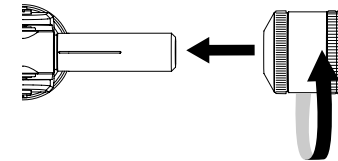
7 Bringen Sie den Tonabnehmerkopf an.

Bauen Sie den Tonabnehmerkopf mit Tonabnehmer an den Tonarm. Richten Sie den Tonabnehmerkopf dann gerade, und ziehen Sie die Gegenmutter an.



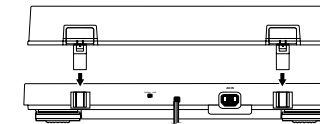
8 Bringen Sie das Gegengewicht an.

Befestigen Sie das Gegengewicht am hinteren Schaft des Tonarms.



9 Bringen Sie die Abdeckhaube an.

Setzen Sie die Abdeckhaube mit den Scharnieren in die Halter an der Rückseite des Plattenspielers.



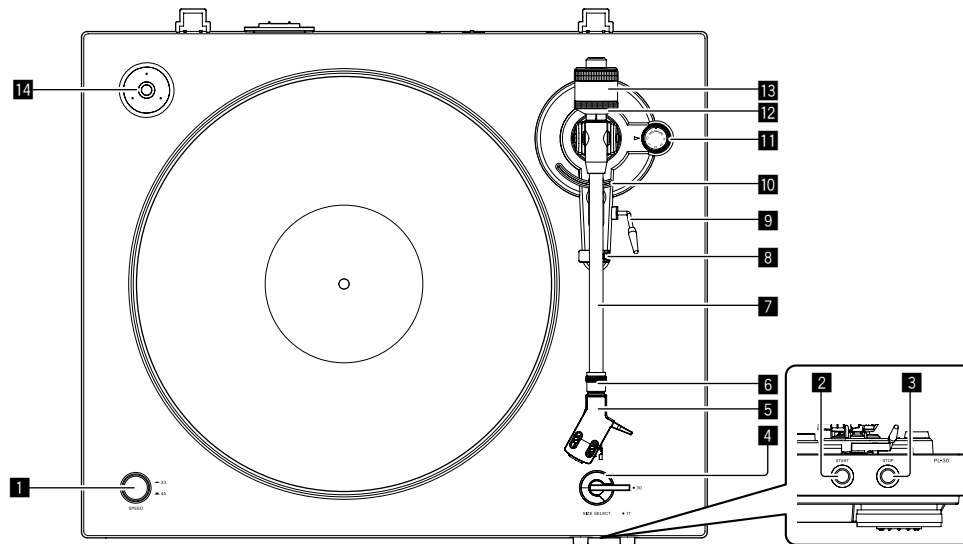
- Schieben Sie beide Scharniere ganz ein.
- Zum Abnehmen öffnen Sie die Abdeckhaube ganz, fassen in der Nähe der Scharnieraufnahmen an und ziehen die Abdeckhaube von den Scharnieren.

10 Entfernen Sie den Drahtbinder am Tonarm.

Nachdem der Plattenspieler zusammengebaut ist, entfernen Sie den Drahtbinder am Tonarm.

Bezeichnungen und Funktionen der Bauteile

Oberseite



- 1 SPEED-Taste**
Stellt die Drehgeschwindigkeit auf die abzuspielende Schallplatte ein.
- 2 START-Taste**
Startet die Drehung des Plattentellers.
- 3 STOP-Taste**
Hält die Drehung des Plattentellers an.
- 4 SIZE SELECT-Hebel**
Wählt die Größe der abzuspielenden Schallplatte an.
- 5 Tonabnehmerkopf**
Wird mit angebrachtem Tonabnehmer verwendet.
- 6 Gegenmutter**
Hält den angebrachten Tonabnehmer.
- 7 Tonarm**
- 8 Tonarmstütze**
Stützt den Tonarm.

- 9 Tonarmhebel**
Wenn der Hebel nach oben gezogen wird, geht der Tonarm nach oben. Wenn der Hebel nach unten gedrückt wird, geht der Tonarm nach unten.
- 10 Tonarmheber**
Diese Vorrichtung hebt und senkt den Tonarm und wird mit dem Tonarmhebel bedient.
- 11 ANTI-SKATING-Drehregler**
Beim Abspielen einer Schallplatte wird die Nadelspitze durch die sogenannte Skating-Kraft in Richtung Plattenmitte gezogen. Zum Ausgleich dieser Kraft stellen Sie den Drehregler entsprechend dem Auflagedruck der Nadel ein.
- 12 Nadeldruckeinstellung**
Dient zur Anpassung auf den Nadeldruck des Tonabnehmers.
- 13 Gegengewicht**
Gleicht das Gewicht des Tonarms aus und gleicht den Nadeldruck an.
- 14 Adapter für EPs**
Wird zum Abspielen von normalen EPs benutzt.

Einstellung

Einstellen des Tonarmgewichts

Vorbereitung:

- Bei Tonabnehmern mit abnehmbarer Nadelabdeckung entfernen Sie die Abdeckung.
- Drücken Sie den Tonarmhebel nach unten.

1 Stellen Sie den [ANTI-SKATING]-Drehregler auf „0“.

2 Heben Sie den Tonarm von der Tonarmstütze, und stellen Sie das Gegengewicht so ein, dass der Tonarm waagrecht steht.

Drehen Sie das Gegengewicht, bis der Tonarm annähernd waagrecht steht.

- Achten Sie beim Bewegen des Tonarms darauf, dass die Nadelspitze nicht mit dem Plattenteller oder anderem in Berührung kommt.



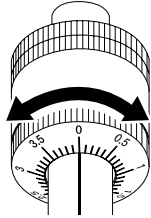
Gegengewicht zu weit zurückgedreht



Gegengewicht zu weit vorgedreht

Einstellen des Nadeldrucks

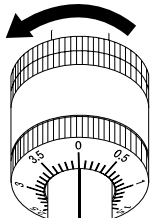
- 1 Setzen Sie den Tonarm auf die Tonarmstütze zurück.
- 2 Stellen Sie die „0“ am Nadeldruckeinstellung auf die Mittellinie am hinteren Tonarmschaft. Verhindern Sie mit dem Finger, dass sich das Gegengewicht bewegt, und drehen Sie den Nadeldruckeinstellung so, dass die Zahl „0“ auf der schwarzen Mittellinie am hinteren Tonarmschaft steht.



3 Stellen Sie den Nadeldruck ein.

Zur Einstellung des Nadeldrucks entsprechend Ihrem Tonabnehmer drehen Sie das Gegengewicht.

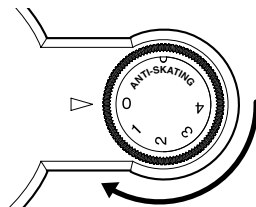
- Zusammen mit dem Gegengewicht dreht der Nadeldruckeinstellung. Stellen Sie den Nadeldruck anhand der Anzeige am Einstellring passend ein.
- Der passende Nadeldruck für den beinhaltenen Tonabnehmer ist 3,5 g. Stellen Sie die „3,5“ ein.



Einstellen der Anti-Skating-Funktion

Diese Einstellung soll verhindern, dass die Nadel springt.

- 1 Stellen Sie die gleiche Position auf der Skala wie für den Nadeldruck ein.
- 2 Drehen Sie den [ANTI-SKATING]-Drehregler, bis die Bezugsmarkierung auf demselben Wert steht, den Sie als Auflagedruck der Tonabnehmer-nadel eingestellt haben.

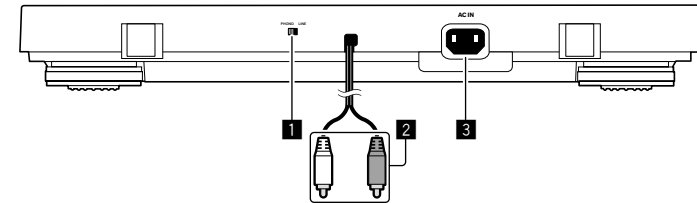


Anschluss der Geräte

Anschluss der Geräte

- Schalten Sie das Gerät aus, und trennen Sie das Netzkabel von der Netzsteckdose, bevor Sie Verbindungen herstellen oder ändern.
- Beachten Sie die Bedienungsanleitung der anzuschließenden Komponente.
- Schließen Sie das Netzkabel an, nachdem alle Anschlüsse zwischen Geräten hergestellt sind.

Beschreibung der Buchsen



1 Equalizer-Schalter

Stellen Sie diesen Schalter je nach Audio-Eingangsbuchse des Vor-/Hauptverstärkers oder einer anderen Komponente ein.

2 Cinch-Ausgangsstecker

Zum Anschluss an die Audio-Eingangsbuchse des Vor-/Hauptverstärkers oder einer anderen Komponente.

3 AC IN-Buchse

Stellt die Verbindung zum Stromnetz mit dem mitgelieferten Netzkabel her. Schließen Sie das Netzkabel erst an, nachdem alle Verbindungen zwischen Geräten hergestellt sind.

- Verwenden Sie immer das mitgelieferte Netzkabel.

Anschließen an Vor-/Hauptverstärker und Komponenten

1 Bewegen Sie den Equalizer-Schalter in die entsprechende Stellung.

PHONO: Beim Anschluss an eine PHONO-Eingangsbuchse (der eingebaute Equalizer des Plattenspielers wird nicht benutzt)

LINE: Beim Anschluss an eine andere als PHONO-Eingangsbuchse (der eingebaute Equalizer des Plattenspielers wird benutzt)

2 Verbinden Sie den Cinch-Ausgangsstecker mit der Eingangsbuchse des Vor-/Hauptverstärkers oder anderen Komponente.

3 Schließen Sie das Netzkabel an.

Stellt die Verbindung zum Stromnetz mit dem mitgelieferten Netzkabel her. Schließen Sie das Netzkabel erst an, nachdem alle Verbindungen zwischen Geräten hergestellt sind.

- Prüfen Sie vor dem Anschluss an den Netzanschluss eines anderen Geräts die angegebene Wattleistung. (Dieses Gerät hat eine Leistungsaufnahme von 2 W.)
- Wenn der Plattenspieler beim Einstecken des Netzkabels anläuft, drücken Sie die [STOP] Taste.

Aufstellort

Stellen Sie das Gerät auf eine ebene, erschütterungsfreie Fläche.

- Ein Aufstellort möglichst weit vom Lautsprechersystem entfernt ist ideal.
- Wenn das Gerät sehr nah an einem Radio (mit MW/UKW-Empfang) steht, kann das Radio Rauschen verursachen. Halten Sie den Abstand möglichst groß.

Wiedergabe

Vorbereitung:

- Legen Sie eine Schallplatte auf den Plattenteller.
- Entfernen Sie die Nadelabdeckung, und achten Sie darauf, die Nadelspitze nicht zu berühren.

1 Drücken Sie zum Einstellen der Abspielgeschwindigkeit die [SPEED]-Taste.

Zum Abspielen einer 45-U/min-Schallplatte ist die Taste nicht eingedrückt [■], für 33 1/3-U/min-Schallplatten drücken Sie die Taste ein [■].

- Zum Abspielen einer normalen EP verwenden Sie den EP-Schallplattenadapter auf dem Plattentopf.

2 Wählen Sie mit dem [SIZE SELECT]-die Schallplattengröße aus.

Zum Abspielen von 17 cm-Schallplatten stellen Sie den Hebel auf [17], für 30 cm-Schallplatten auf [30].

- Zum Abspielen einer normalen EP verwenden Sie den EP-Schallplattenadapter auf dem Plattentopf.

3 Drücken Sie die Taste [START] länger als 1 Sekunde.

Der Plattenteller läuft an, und die Wiedergabe startet automatisch.

- Nach der Wiedergabe kehrt der Tonarm in die Ausgangsstellung zurück, und der Plattenteller hält automatisch an.
- Wenn der Plattenspieler nicht mehr in Benutzung ist, bringen Sie zum Schutz der Nadelspitze die Nadelabdeckung an.
- Dieses Gerät besitzt eine Funktion, die den Tonarm automatisch in seine Ausgangsstellung zurückkehren lässt, sobald er nach dem Abspielen der Schallplatte einen bestimmten Punkt erreicht. Bei Schallplatten in Standardgrößen funktioniert dies normal, während es bei Schallplatten, die bis an diesen Punkt Rillen haben, sein kann, dass die Rückkehrfunktion ausgelöst wird, bevor die Wiedergabe beendet ist.



Hinweise

- Während der Wiedergabe sollen der Tonarm und der Plattenteller nicht berührt und das Gerät nicht ausgeschaltet werden.
- Das automatische Abspielsystem ist nicht für 25 cm-Schallplatten geeignet. In dem Fall bedienen Sie das Gerät manuell. Wenn der Tonarm nach der Wiedergabe nicht in die Ausgangsstellung zurückkehrt, drücken Sie die [STOP]-Taste.

Anhalten der Wiedergabe

Ziehen Sie den Tonarmhebel nach oben.

Die Nadel des Tonabnehmers hebt von der Schallplatte ab.

- Um die Wiedergabe fortzusetzen, drücken Sie den Tonarmhebel nach unten.

Beenden der Wiedergabe

1 Ziehen Sie den Tonarmhebel nach oben, bewegen Sie den Tonarm über die Tonarmstütze, und drücken Sie den Tonarmhebel nach unten.

2 Drücken Sie die [STOP]-Taste.

- Wenn der Plattenspieler nicht mehr in Benutzung ist, bringen Sie zum Schutz der Nadelspitze die Nadelabdeckung an.

Zusätzliche Informationen

Austauschen der Nadel

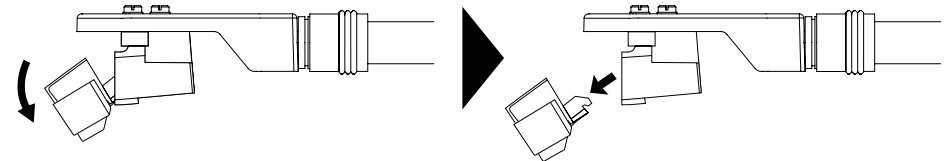
Die beinhaltete Nadel hat eine Lebensdauer von etwa 400 Stunden. Um Schäden an wertvollen Schallplatten zu vermeiden, tauschen Sie die Nadel rechtzeitig aus. Ersatznadeln erhalten Sie dort, wo Sie den Plattenspieler gekauft haben, oder von einer Reparaturwerkstätte. Geben Sie ausdrücklich an, dass Sie eine Ersatznadel für den PL-30-K benötigen.

- Schalten Sie zum Austausch der Nadel den Verstärker aus, und trennen Sie das Netzkabel des Plattenspielers.
- Die Nadelspitze ist sehr empfindlich, gehen Sie bitte vorsichtig vor. Staub auf der Nadelspitze können Sie mit einem weichen Pinsel entfernen.
- Bei ausgebautem Tonabnehmer fällt das Austauschen der Nadel leichter.

Ausbauen der austauschbaren Nadel

1 Halten Sie mit einer Hand den Tonabnehmer fest, und drücken Sie mit der anderen Hand die austauschbare Nadel nach unten.

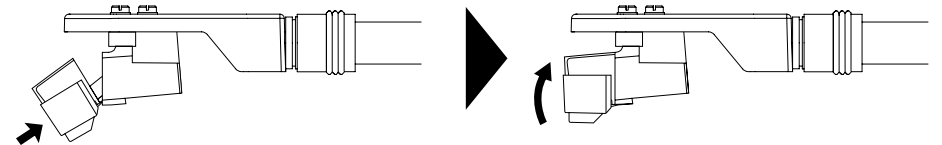
2 Ziehen Sie die Nadel vorsichtig in Pfeilrichtung ab.



Einbauen der austauschbaren Nadel

1 Halten Sie mit einer Hand den Tonabnehmer fest, und schieben Sie mit der anderen Hand die Befestigungsschiene der austauschbaren Nadel bis zum Anschlag in das Langloch des Tonabnehmers.

2 Rasten Sie die Nadel nach oben hörbar ein.



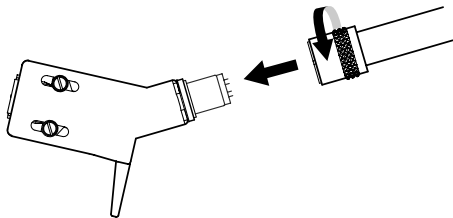
Austauschen des Tonabnehmers

Andere Tonabnehmer, mit denen Sie diesen Plattenspieler wahlweise ausstatten können, sollen ein Gewicht von ca. 4,5 g bis 9,5 g haben.

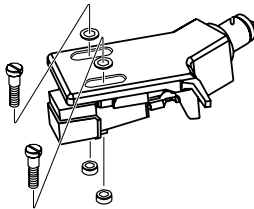
Beim Kauf des Tonabnehmerkopfs als Einzelteil fragen Sie bei Ihrem Händler oder der Reparaturwerkstätte bitte nach einem Tonabnehmerkopf speziell für den PL-30-K.

Ausbauen des Tonabnehmers

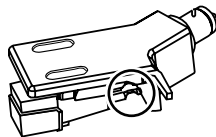
1 Lösen Sie die Gegenmutter, und nehmen Sie den Tonabnehmerkopf ab.



2 Lösen und entnehmen Sie die Befestigungsschrauben des Tonabnehmers.



3 Trennen Sie die Kabeldrähte tonabnehmerseitig.

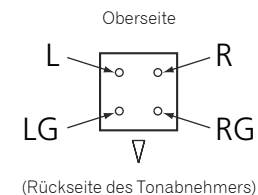


Abbringen des Tonabnehmers

1 Verbinden Sie die Kabeldrähte.

Achten Sie auf die richtige Zuordnung der farblich gekennzeichneten Kabel wie unten angegeben.

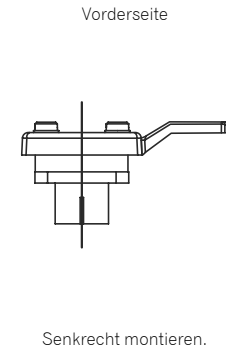
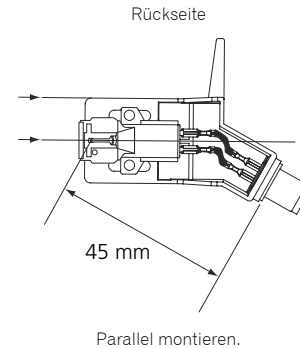
Farbe	Funktion
Rot	Rechter Kanal (R)
Weiß	Linker Kanal (L)
Grün	Rechter Kanal Masse (RG)
Blau	Linker Kanal Masse (LG)



2 Bringen Sie den Tonabnehmer an.

Um den nötigen Überstand zu erzielen, bauen Sie den Tonabnehmer so ein, dass die Nadelspitze die in der Abbildung unten gezeigten ca. 45 mm Abstand von der Kante der Einbaulfläche des Tonabnehmerkopfs (der Gummischeibe) hat.

- Bei diesem Plattenspieler soll der Überstand 19 mm sein.



3 Befestigen Sie den Tonabnehmer mit den Befestigungsschrauben.

Hinweise

- Stellen Sie nach dem Auswechseln des Tonabnehmers Tonarm, Nadeldruck und Anti-Skating ein.
- Wenn, je nach Austausch-Tonabnehmer, Kabelschuh und Kabeldraht keine richtige Verbindung herstellen, verwenden Sie die enthaltenen Ersatzkabeldrähte.

Fehlersuche

- Ziehen Sie die Tabelle unten hinzu, wenn Ihr Plattenspieler nicht normal funktioniert. Wenn Sie das Problem nicht beheben können, wenden Sie sich bitte an unsere Kundendienstzentrale oder an Ihren örtlichen Händler.

Problem	Prüfen	Abhilfe
Gerät schaltet nicht ein	Ist das Netzkabel richtig angeschlossen?	Schließen Sie das mitgelieferte Netzkabel richtig an eine Steckdose an.
Plattenteller dreht nicht	Ist der Riemen angelegt?	Prüfen Sie Riemen und Rollen. Montieren Sie einen vom Plattenteller gerutschten Riemen wie unter Montage beschrieben. (Seite 4)
	Ist der Riemen rissig oder gerissen?	Prüfen Sie Riemen und Rollen. Tauschen Sie einen rissigen oder gerissenen Riemen aus.
Kein Ton oder schwacher Ton	Sind die Audiokabel richtig angeschlossen?	Schließen Sie die Audiokabel richtig an.
	Sind Buchsen oder Stecker verschmutzt?	Reinigen Sie Buchsen und Stecker vor dem Herstellen von Verbindungen.
	Ist der Tonabnehmerkopf richtig montiert?	Montieren Sie den Tonkopf richtig.
Klang verzerrt	Steht der Equalizer-Schalter auf [LINE] , obwohl der Plattenspieler an die PHONO-Buchse eines Verstärkers angeschlossen ist?	Wenn der Plattenspieler an eine PHONO-Buchse angeschlossen ist, stellen Sie den Equalizer-Schalter auf [PHONO] .
Klang extrem leise	Steht der Equalizer-Schalter auf [PHONO] , wenn der Plattenspieler an die AUX-Buchse eines Verstärkers angeschlossen ist?	Zum Anschluss an eine AUX-Buchse stellen Sie den Equalizer-Schalter in die Stellung [LINE] . (Vor dem Versetzen des Equalizer-Schalters die Lautstärke am Verstärker auf ganz leise stellen.)
Linker und rechter Ton vertauscht	Sind die Anschlüsse für links und rechts an irgendeiner Komponente vertauscht?	Verbinden Sie das Audiokabel und die Kabeldrähte des Tonabnehmerkopfs vorschriftsmäßig.
Tieftöniges Brummen (Summen oder Surren) während der Wiedergabe	Befindet sich ein elektrisches Gerät wie eine Neonlampe oder das zugehörige Netzkabel in der Nähe des Anschlusskabels?	Verlegen Sie das Netzkabel der Neonlampe, oder platzieren Sie das andere Gerät so weit wie möglich entfernt.
Nadelspitze setzt nicht auf der Schallplatte auf	Ist der Nadeldruck richtig eingestellt?	Stellen Sie das Gegengewicht auf den passenden Nadeldruck für Ihren Tonabnehmer ein.
	Ist der Tonarm waagrecht ausgerichtet?	Drehen Sie das Gegengewicht, bis der Tonarm waagrecht steht.
Nadel springt	Ist der Nadeldruck richtig eingestellt?	Stellen Sie das Gegengewicht auf den passenden Nadeldruck für Ihren Tonabnehmer ein.
	Ist die Schallplatte verzogen oder zerkratzt?	Überprüfen Sie den Zustand der Schallplatte.
	Hat sich an der Nadelspitze viel Staub angesammelt?	Nehmen Sie den Kopf mit Tonabnehmer ab, und entfernen Sie mit einer weichen Bürste oder einem Pinsel vorsichtig Staub usw. von der Nadelspitze.
	Ist das Anti-Skating richtig eingestellt?	Stellen Sie das Anti-Skating richtig ein.
	Ist die Tonarmhöhe richtig eingestellt?	Stellen Sie die Tonarmhöhe richtig ein.

Problem	Prüfen	Abhilfe
Tonarm bleibt während der Wiedergabe stehen	Ist die Schallplatte zerkratzt?	Überprüfen Sie den Zustand der Schallplatte.
	Stößt der Tonarm an ein Hindernis?	Prüfen Sie den Bereich um den Tonarm, und entfernen Sie ein etwaiges Hindernis.
Lautstärke zu leise oder zu laut	Stimmt der Anschluss (die Ausgabe) an den Verstärker für diesen Tonabnehmer?	Schließen Sie die Verbindungskabel richtig an.

Vorsichtshinweise

Kondensation

Wenn das Gerät im Winter von einem kalten Ort in einen warmen Raum gebracht wird oder die Temperatur in dem Raum, in dem das Gerät steht, rasch steigt (durch Heizung oder dgl.), können sich im Gerät (auf Funktionsteilen und Linsen) Wassertröpfchen (Kondensation) absetzen. Kondensation im Geräteinneren bedeutet, dass das Gerät nicht normal funktioniert und nicht einsetzbar ist. Lassen Sie das Gerät uneingeschaltet 1 bis 2 Stunden bei Raumtemperatur stehen (die genaue erforderliche Zeit ist je Ausmaß der Kondensation unterschiedlich). Die Wassertröpfchen verdunsten, und das Gerät wird einsatzbereit. Kondensation kann auch im Sommer auftreten, z. B. wenn das Gerät dem direkten Luftstrom aus einer Klimaanlage oder dgl. ausgesetzt ist. In dem Fall stellen Sie das Gerät an einem anderen Ort auf.

Transport des Geräts an einen anderen Ort

Verpacken Sie das Gerät in seiner Originalverpackung. Wenn die Originalverpackung nicht mehr vorhanden ist:

- Bauen Sie Plattentellerauflage und Plattenteller aus, und verpacken Sie beide sorgfältig.
- Bauen Sie Tonabnehmerkopf und Gegengewicht vom Tonarm, und verpacken Sie beide sorgfältig.
- Sichern Sie den Tonarm mit der Tonarmhalterung, und verschließen Sie die Halterung mit Klebeband.
- Wickeln Sie das Hauptgerät zum Schutz vor Beschädigung in eine Decke oder weiches Papier.

Wartung der einzelnen Teile

Schalten Sie zum Anbringen und Abnehmen des Tonabnehmerkopfs den Verstärker aus.

Wenn Sie diesen Vorgang bei hoher Lautstärke vornehmen, kann der Lautsprecher Schaden nehmen.

- Nehmen Sie den Kopf mit Tonabnehmer ab, und entfernen Sie mit einer weichen Bürste oder einem Pinsel vorsichtig Staub usw. von der Nadelspitze.
- Reinigen Sie Schallplatten mit einem geeigneten und hochwertigen Schallplattenreiniger.
- Reinigen Sie den Anschluss des Tonabnehmerkopfs mit einem weichen Tuch o. ä., und bauen Sie den Tonabnehmer wieder an den Tonarm.

Reinigen der Abdeckhaube usw.

Reinigen Sie die Abdeckhaube und das Gehäuse mit einem weichen Tuch.

- Reinigen Sie die Abdeckhaube nicht während der Wiedergabe. Es kann sich statische Elektrizität aufbauen, die den Tonarm gegen die Abdeckhaube zieht.

Warenzeichen und eingetragene Warenzeichen

- Pioneer ist ein eingetragenes Warenzeichen der PIONEER CORPORATION.
- Die hier erwähnten Produkt- oder Firmennamen sind Warenzeichen ihrer jeweiligen Eigentümer.

Technische Daten

Netzanschluss.....	220 V bis 240 V Wechselspannung, 50 Hz / 60 Hz
Leistungsaufnahme.....	2 W
Gewicht des Hauptgeräts.....	5,6 kg
Höchstabmessungen.....	435 mm (B) × 110 mm (H) × 372,6 mm (T)
Betriebstemperaturbereich.....	+5 °C bis +35 °C
Zulässige Luftfeuchtigkeit.....	5 % bis 85 % (keine Kondensation)

Plattentellereinheit

Antriebsart.....	Riemenantrieb
Motor.....	Gleichstrom-Servomotor
Drehgeschwindigkeit.....	33 1/3 U/min, 45 U/min
Gleichlaufschwankungen.....	0,1 % oder weniger WRMS (JIS WTD)
Signalrauschabstand.....	60 dB (DIN-B)
Plattenteller.....	Aluminiumdruckguss

Tonarmeinheit

Tonarm.....	Gerader Tonarm mit statischem Gewichtsausgleich
Effektive Länge.....	221,5 mm
Überstand.....	19 mm
Variabler Nadeldruckbereich.....	0 g bis 4,0 g (1 Skalenstrich 0,1 g)
Geeignetes Tonabnehmergewicht.....	4,5 g bis 9,5 g (einzelner Tonabnehmer)
Tonabnehmer.....	MM-System
Tonabnehmerkopfgewicht.....	10,0 g (einschl. Schrauben und Muttern)

Ausgangsspannung

PHONO.....	2,5 mV
LINE.....	150 mV

- Technische Änderungen und Designänderungen dieses Produkts vorbehalten
- © 2014 PIONEER HOME ELECTRONICS CORPORATION. Alle Rechte vorbehalten.



Se si vuole eliminare questo prodotto, non gettarlo insieme ai rifiuti domestici. Esiste un sistema di raccolta differenziata in conformità alle leggi che richiedono appositi trattamenti, recupero e riciclo.

I privati cittadini dei paesi membri dell'UE, di Svizzera e Norvegia, possono restituire senza alcun costo i loro prodotti elettronici usati ad appositi servizi di raccolta o a un rivenditore (se si desidera acquistarne uno simile).

Per i paesi non citati qui sopra, si prega di prendere contatto con le autorità locali per il corretto metodo di smaltimento.

In questo modo, si è sicuri che il proprio prodotto eliminato subirà il trattamento, il recupero e il riciclo necessari per prevenire gli effetti potenzialmente negativi sull'ambiente e sulla vita dell'uomo.

K058b_A1_it

ATTENZIONE

Questo apparecchio non è impermeabile. Per prevenire pericoli di incendi o folgorazioni, non posizionare nelle vicinanze di questo apparecchio contenitori pieni di liquidi (quali vasi da fiori, o simili), e non esporre l'apparecchio a sgocciolii, schizzi, pioggia o umidità.

D3-4-2-1-3_A1_it

ATTENZIONE

Per evitare il pericolo di incendi, non posizionare sull'apparecchio dispositivi con fiamme vive (ad esempio una candela accesa, o simili).

D3-4-2-1-7a_A1_it

Condizioni ambientali di funzionamento

Gamma ideale della temperatura ed umidità dell'ambiente di funzionamento: da +5 °C a +35 °C, umidità relativa inferiore all'85 % (fessure di ventilazione non bloccate) Non installare l'apparecchio in luoghi poco ventilati, o in luoghi esposti ad alte umidità o alla diretta luce del sole (o a sorgenti di luce artificiale molto forti).

D3-4-2-1-7c*_A1_it

AVVERTENZA

Dal momento che il cavo di alimentazione costituisce l'unico dispositivo di distacco dell'apparecchio dalla sorgente di alimentazione, il cavo stesso deve essere staccato dalla presa di corrente alternata di rete per sospendere completamente qualsiasi flusso di corrente. Verificare quindi che l'apparecchio sia stato installato in modo da poter procedere con facilità al distacco del cavo di alimentazione dalla presa di corrente, in caso di necessità. Per prevenire pericoli di incendi, inoltre, il cavo di alimentazione deve essere staccato dalla presa di corrente alternata di rete se si pensa di non utilizzare l'apparecchio per periodi di tempo relativamente lunghi (ad esempio, durante una vacanza).

D3-4-2-2-2a*_A1_it

ATTENZIONE

PER EVITARE IL RISCHIO DI SCOSSE ELETTRICHE, NON RIMUOVERE IL COPERCHIO (O IL RETRO). NON CI SONO PARTI INTERNE LA CUI MANUTENZIONE POSSA ESSERE EFFETTUATA DALL'UTENTE. IN CASO DI NECESSITÀ, RIVOLGERSI ESCLUSIVAMENTE A PERSONALE DI SERVIZIO QUALIFICATO.

D3-4-2-1-1_B2_it

AVVERTIMENTO RIGUARDANTE IL FILO DI ALIMENTAZIONE

Prendete sempre il filo di alimentazione per la spina. Non tiratelo mai agendo per il filo stesso e non toccate mai il filo con le mani bagnate, perchè questo potrebbe causare cortocircuiti o scosse elettriche. Non collocate l'unità, oppure dei mobili sopra il filo di alimentazione e controllate che lo stesso non sia premuto. Non annodate mai il filo di alimentazione nè collegatelo con altri fili. I fili di alimentazione devono essere collocati in tal modo che non saranno calpestati. Un filo di alimentazione danneggiato potrebbe causare incendi o scosse elettriche. Controllate il filo di alimentazione regolarmente. Quando localizzate un eventuale danno, rivolgetevi al più vicino centro assistenza autorizzato della PIONEER oppure al vostro rivenditore per la sostituzione del filo di alimentazione.

S002*_A1_it

ATTENZIONE

Conservare i piccoli ricambi fuori dalla portata dei bambini e dei bebè. Se inghiottiti accidentalmente, recarsi immediatamente dal medico.

D41-6-4_A1_it

AVVERTENZA PER LA VENTILAZIONE

Installare l'apparecchio avendo cura di lasciare un certo spazio all'intorno dello stesso per consentire una adeguata circolazione dell'aria e migliorare la dispersione del calore (almeno 15 cm sulla parte superiore, 5 cm sul retro, e 5 cm su ciascuno dei lati).

D3-4-2-1-7d*_A1_it

Questo prodotto è destinato esclusivamente all'uso domestico. Eventuali disfunzioni dovute ad usi diversi (quali uso prolungato a scopi commerciali, in ristoranti, o uso in auto o su navi) e che richiedano particolari riparazioni, saranno a carico dell'utente, anche se nel corso del periodo di garanzia.

K041_A1_it

Grazie per aver acquistato questo prodotto Pioneer. Leggere attentamente questo manuale di istruzioni per familiarizzarsi con l'uso dell'apparecchio.

Contenuto

01 Prima di iniziare

Funzionalità.....	4
Controllo del contenuto della scatola.....	4
Montaggio.....	4

02 Funzionamento

Nomi e funzioni dei componenti.....	6
Regolazione.....	6
Collegamento dell'apparecchio.....	7
Riproduzione.....	8
Pausa della riproduzione.....	8
Arresto della riproduzione.....	8
Informazioni aggiuntive.....	8

03 Altri

Risoluzione dei problemi.....	10
Precauzioni per l'uso.....	10
Manutenzione delle parti.....	10
Marchi di fabbrica e marchi di fabbrica registrati.....	11
Specifiche.....	11

Funzionalità

Un giradischi completamente automatico e semplice da utilizzare

Una volta selezionata la dimensione del disco, è sufficiente premere il pulsante [START] per iniziare la riproduzione del disco stesso. Al termine, la funzione automatica del giradischi consente il ritorno del braccio alla posizione iniziale.

Stabile riproduzione dei dischi grazie al basso baricentro del telaio

La parte inferiore del giradischi presenta una piastra in metallo che conferisce al telaio un baricentro basso e lo rende stabile durante la riproduzione dei dischi anche in presenza di vibrazioni esterne.

Dotato di un equalizzatore del suono che può essere attivato e disattivato

La presenza di questo equalizzatore del suono consente di collegare il giradischi direttamente ad amplificatori non dotati di terminali PHONO. Se un amplificatore non possiede un equalizzatore del suono, questa funzione può essere disattivata.

Fornito di una testina MM ad elevate prestazioni

Poiché la testina è già presente, puoi utilizzarlo immediatamente.

Dotato di un tappetino di medio spessore

Il tappetino avente spessore pari a 5 mm elimina le vibrazioni esterne e migliora il contatto tra il disco e la piastra, consentendo una stabile riproduzione del disco stesso.

Stile sobrio

Il design e le finiture caratterizzano il suo profilo sobrio, che si armonizza sia con gli oggetti sia con l'ambiente circostanti.

Cavo di alimentazione rimovibile

I cavi non impediscono lo spostamento del giradischi, eliminando in questo modo eventuali problemi in fase di scollegamento.

Controllo del contenuto della scatola

Controllare che siano stati inclusi i seguenti accessori in dotazione:

- Piatto
- Piastra del piatto
- Coperchio antipolvere con cerniere rimovibili
- Adattatore per dischi EP
- Contrappeso
- Portatestina con testina
- Cavi elettrici di ricambio
- Cavo di alimentazione
- Istruzioni per l'uso (questo documento)
- Foglio di garanzia

ATTENZIONE

Conservare i piccoli ricambi fuori dalla portata dei bambini e dei beb . Se inghiottiti accidentalmente, recarsi immediatamente dal medico.

D41-6-4_A1_It

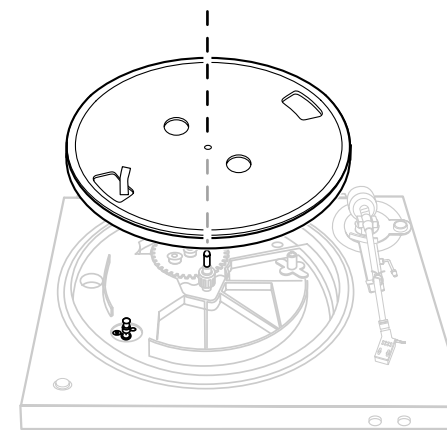
Montaggio

- Non rimuovere il laccio metallico che fissa il braccio finch  il montaggio non   stato completato.
- Collegare il cavo di alimentazione dopo il montaggio del giradischi e dopo aver completato tutti i collegamenti tra gli altri dispositivi.

1 Posizionare il piatto.

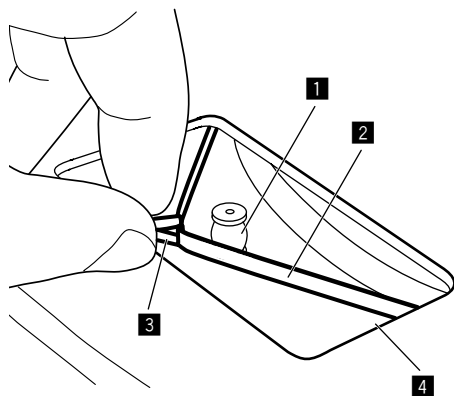
Posizionare il piatto sull'alberino centrale.

- Non urtare il piatto dell'unit  principale e non farlo cadere.



- ### 2 Ruotare il piatto in modo che il rullo sia visibile attraverso il foro quadrato con il nastro adesivo per il fissaggio della fascia.

3 Pizzicare il nastro adesivo e posizionare la fascia oltre il rullo.



- 1 Rullo
- 2 Fascia
- 3 Nastro adesivo
- 4 Foro quadrato

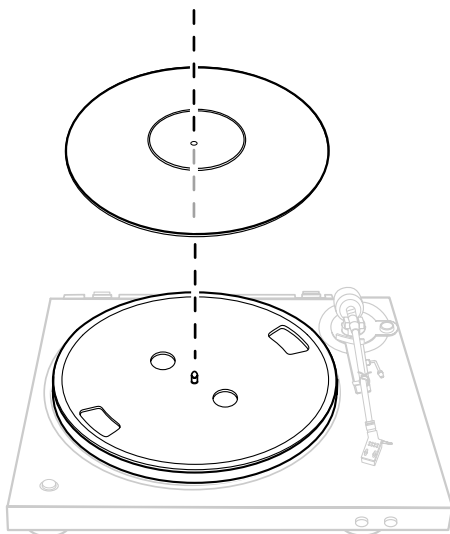
4 Rimuovere il nastro adesivo.

5 Ruotare il piatto lentamente di cinque o sei giri.

Controllare che la fascia sia fissata correttamente al centro del rullo.

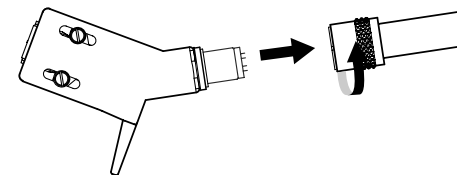
6 Posizionare la piastra del piatto.

- Il tappetino del piatto presenta un lato superiore ed uno inferiore. Posizionare il tappetino in modo che il lato inferiore, sui cui è presente il logo Pioneer, sia rivolto verso il basso.



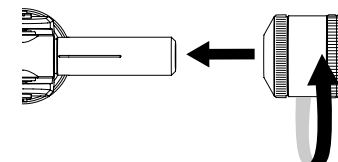
7 Fissare il portatestina.

Inserire il portatestina con la testina installata nel braccio. Quindi, mantenendo il portatestina in posizione orizzontale, serrare il controdado.



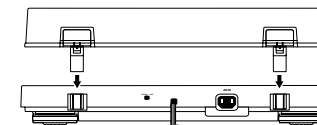
8 Fissare il contrappeso.

Fissare il contrappeso sull'asta posteriore del braccio.



9 Installare il coperchio antipolvere.

Inserire saldamente le cerniere del coperchio antipolvere nei supporti sulla parte inferiore del piatto.



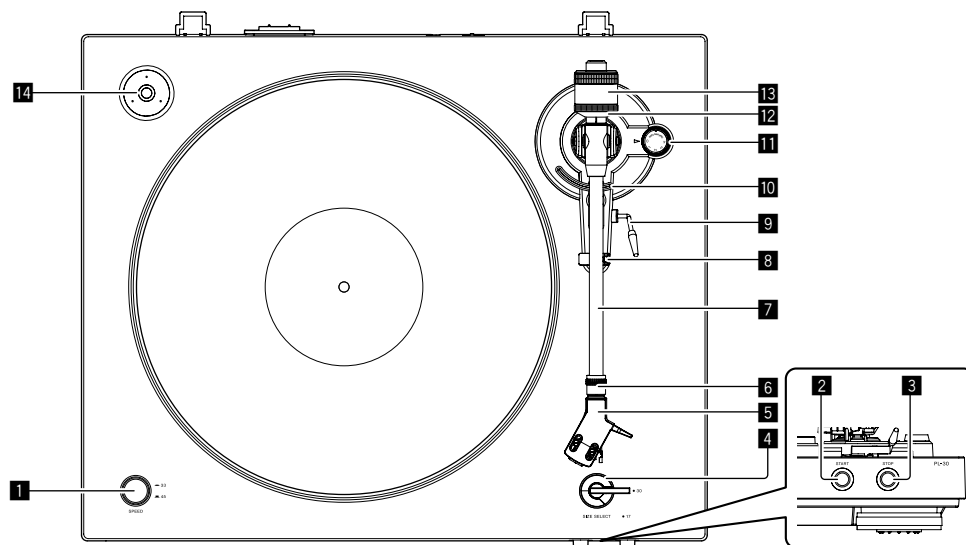
- Inserire completamente entrambe le cerniere.
- Quando si rimuove il coperchio antipolvere, aprirlo completamente ed estrarlo tirandolo verso l'alto tenendolo in corrispondenza delle parti di fissaggio.

10 Rimuovere il laccio metallico che fissa il braccio.

Al termine del montaggio, rimuovere il laccio metallico che fissa il braccio.

Nomi e funzioni dei componenti

Pannello superiore



- 1 Pulsante SPEED**
Cambia la velocità in base al disco da riprodurre.
- 2 Pulsante START**
Premere il pulsante per avviare la rotazione del piatto.
- 3 Pulsante STOP**
Premere il pulsante per interrompere la rotazione del piatto.
- 4 Levetta SIZE SELECT**
Cambia le dimensioni in base al disco da riprodurre.
- 5 Portatestina**
Da utilizzare in presenza della testina inserita.
- 6 Controdado**
Blocca la testina in posizione.
- 7 Braccio**
- 8 Poggiabraccio**
Funge da base di supporto per il braccio.

- 9 Leva di sollevamento**
Tirare questa leva per alzare il braccio e spingerla per abbassarlo.
- 10 Alzabraccio**
Questo dispositivo viene utilizzato per alzare e abbassare il braccio ed è azionato dalla leva di sollevamento.
- 11 Manopola ANTI-SKATING**
Quando viene riprodotto un disco, viene generata una forza rotatoria che spinge la puntina verso il perimetro interno. Facendo corrispondere questa manopola al valore della pressione della puntina, questo tipo di forza viene eliminato.
- 12 Anello di regolazione della pressione della puntina**
Consente di impostare la pressione appropriata della puntina della testina.
- 13 Contrappeso**
Consente di bilanciare il braccio e di regolare la pressione della puntina.
- 14 Adattatore per dischi EP**
Utilizzato per riprodurre dischi EP standard.

Regolazione

Regolazione del bilanciamento del braccio

Effettuare i seguenti preparativi:

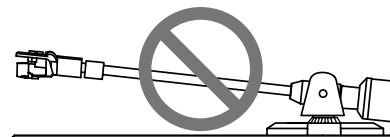
- Per le testine dotate di copripuntina rimovibili, rimuovere i copripuntina.
- Spingere la leva di sollevamento verso il basso.

1 Impostare la manopola [ANTI-SKATING] su "0".

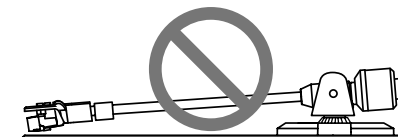
2 Sollevare il braccio dal poggiabraccio e regolarne il bilanciamento in modo che si trovi in posizione orizzontale.

Ruotare il contrappeso finché il braccio non rimane in posizione quasi completamente orizzontale.

- Quando si sposta il braccio, prestare attenzione perché l'estremità della puntina non tocchi direttamente il piatto.



Contrappeso eccessivamente spostato verso la parte posteriore

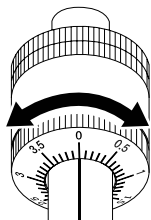


Contrappeso eccessivamente spostato verso la parte anteriore

Regolazione della pressione della puntina

- 1 Riportare il braccio sul poggiabraccio.
- 2 Far corrispondere lo "0" sull'anello di regolazione per la pressione della puntina con la linea centrale dell'asta posteriore del braccio.

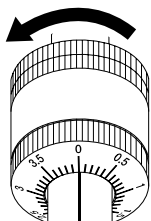
Utilizzando un dito per tenere fermo il contrappeso evitandone lo spostamento, ruotare l'anello di regolazione per la pressione della puntina in modo che il numero "0" si trovi sulla linea centrale nera dell'asta posteriore del braccio.



3 Regolare la pressione della puntina.

Ruotare il contrappeso per impostare il valore corretto per la pressione della puntina in base alla testina in uso.

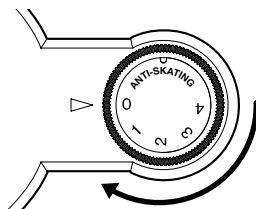
- Quando si ruota il contrappeso, ruota anche l'anello di regolazione per la pressione della puntina. Mentre si osserva l'anello di regolazione, impostare la pressione della puntina al valore appropriato.
- La pressione della puntina corretta per la testina in dotazione è 3,5 g. Impostare su "3,5".



Regolazione dell'antiskating

Questa regolazione consente di impedire eventuali salti della puntina.

- 1 Far corrispondere la posizione della scala con il valore della pressione della puntina.
- 2 Ruotare la manopola [ANTI-SKATING] in modo da far corrispondere il contrassegno di riferimento con lo stesso valore della pressione della testina.

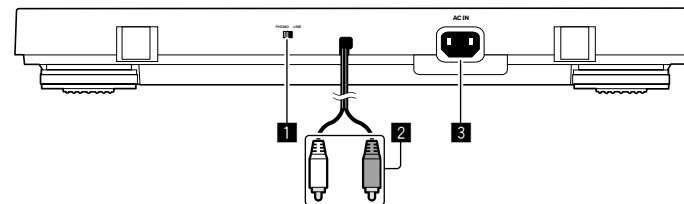


Collegamento dell'apparecchio

Collegamento dell'apparecchio

- Prima di effettuare o modificare collegamenti, assicurarsi di spegnere l'apparecchio e di scollegare il cavo di alimentazione.
- Consultare le istruzioni per l'uso del componente da collegare.
- Collegare il cavo di alimentazione dopo aver effettuato tutti i collegamenti tra i dispositivi.

Descrizione dei terminali



1 Interruttore equalizzatore

Portare l'interruttore sulla posizione appropriata in base al terminale di ingresso del preamplificatore principale o degli altri componenti.

2 Terminali di uscita RCA

Si collega al terminale di ingresso del preamplificatore principale o degli altri componenti.

3 Terminale di ingresso presa di corrente

Si collega ad una presa di corrente col cavo di alimentazione in dotazione. Collegare il cavo di alimentazione solamente dopo aver completato i collegamenti tra le unità.

- Utilizzare solo il cavo di alimentazione in dotazione.

Collegamento a un preamplificatore e a un componente

1 Posizionare correttamente l'interruttore dell'equalizzatore.

PHONO: In fase di collegamento al terminale di ingresso PHONO (l'equalizzatore integrato del giradischi non viene utilizzato).

LINE: In fase di collegamento ad un terminale diverso dal terminale di ingresso PHONO (l'equalizzatore integrato del giradischi viene utilizzato).

2 Collega il terminale di uscita RCA al terminale di ingresso del preamplificatore principale o degli altri componenti.

3 Collegare il cavo di alimentazione.

Si collega ad una presa di corrente col cavo di alimentazione in dotazione. Collegare il cavo di alimentazione solamente dopo aver completato i collegamenti tra le unità.

- Prima di collegare l'unità alla presa di corrente presente sull'apparecchiatura collegata, controllare la potenza elettrica. (Questa unità consuma 2 W di energia elettrica.)
- Se il giradischi inizia a funzionare quando il cavo di alimentazione è collegato, premere il pulsante [STOP].

Posizione di installazione

Posizionare l'unità su una superficie piana, in modo che non sia soggetta a vibrazioni esterne.

- Per quanto possibile, tenere l'unità lontana dagli altoparlanti.
- Se l'unità è molto vicina ad una radio che trasmette nelle frequenze AM/FM, questa potrebbe generare disturbi. Tenere l'unità quanto più possibile lontana dalla radio.

Riproduzione

Effettuare i seguenti preparativi:

- Posizionare un disco sul piatto.
- Rimuovere il copripuntina facendo attenzione a non toccare l'estremità della puntina.

1 Premere il pulsante [SPEED] per impostare la velocità di riproduzione del disco.

Per riprodurre i dischi a 45 giri, portare il pulsante in posizione sollevata [■]; per i dischi a 33 giri e 1/3, il pulsante deve essere premuto [▲].

- Per riprodurre un disco EP standard, collocare l'adattatore per dischi EP nell'alberino centrale e riprodurre il disco.

2 Spostare la leva [SIZE SELECT] per impostare la dimensione del disco.

Per i dischi da 17 cm, posizionare la leva su [17]; per i dischi da 30 cm, posizionare la leva su [30].

- Per riprodurre un disco EP standard, collocare l'adattatore per dischi EP nell'alberino centrale e riprodurre il disco.

3 Premere il pulsante [START] per almeno 1 secondo.

Il piatto inizia a ruotare e la riproduzione inizia automaticamente.

- Al termine della riproduzione del disco, il braccio ritorna nella posizione originale e si interrompe automaticamente la rotazione del piatto.
- Al termine della riproduzione dei dischi, fissare il copripuntina per proteggere la puntina.
- Questo apparecchio è dotato di una funzione di ritorno automatico, grazie alla quale il braccio ritorna nella posizione originale dopo aver raggiunto un punto specifico al termine della riproduzione del disco. Nonostante non vi siano problemi con i dischi di dimensioni normali, per i dischi di dimensioni superiori la funzione di ritorno automatico deve essere attivata prima del completamento della riproduzione.



Note

- Non toccare il braccio o il piatto né scollegare l'alimentazione durante la riproduzione di un disco.
- Il sistema di riproduzione automatica non è utilizzabile con dischi da 25 cm. In questi casi, la procedura deve essere effettuata manualmente. Se il braccio non ritorna nella posizione originale al termine della riproduzione del disco, premere il pulsante [STOP].

Pausa della riproduzione

Tirare la leva di sollevamento verso l'alto.

La puntina della testina si stacca dal disco.

- Per riprendere la riproduzione, spingere la leva di sollevamento verso il basso.

Arresto della riproduzione

1 Alzare la leva di sollevamento per riportare il braccio sul poggiabraccio, quindi spingere la leva di sollevamento verso il basso.

2 Premere il pulsante [STOP].

- Al termine della riproduzione dei dischi, fissare il copripuntina per proteggere la puntina.

Informazioni aggiuntive

Sostituzione della puntina

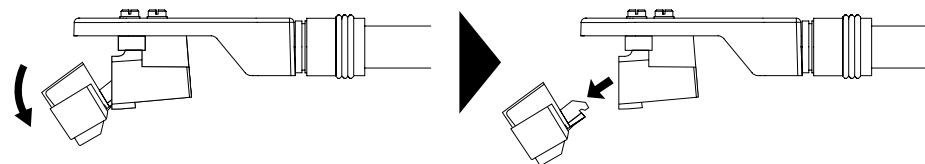
La vita utile della puntina in dotazione è pari a circa 400 ore. Per evitare di danneggiare dischi di grande valore, sostituire la puntina non oltre tale periodo. Acquistare la puntina nuova presso il punto vendita nel quale è stato acquistato il giradischi oppure presso il centro di riparazione più vicino. Specificare che il tipo di puntina desiderato è esclusivamente per PL-30-K.

- Spegnerne l'amplificatore prima di sostituire la puntina e scollegare il cavo di alimentazione.
- L'estremità della puntina è una parte estremamente delicata, quindi maneggiarla con cura. Utilizzare una spazzola morbida per rimuovere con delicatezza la polvere dall'estremità della puntina.
- La rimozione del portatestina semplifica la sostituzione della puntina.

Rimozione della puntina

1 Bloccare saldamente la testina con una mano, afferrare la puntina con l'altra mano e spingerla verso il basso.

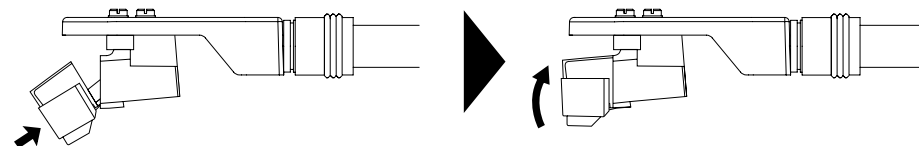
2 Tirare delicatamente la puntina nella direzione della freccia.



Fissaggio della puntina

1 Bloccare saldamente la testina con una mano, afferrare la nuova puntina con l'altra mano, individuare il gancio sulla puntina nuova e inserirlo completamente nel foro lungo della testina.

2 Spingere verso l'alto nella direzione della freccia finché non si avverte uno scatto.



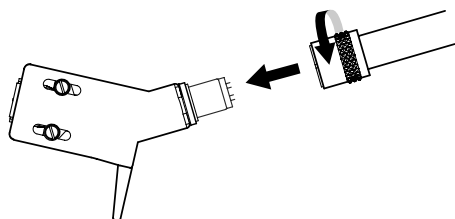
Sostituzione della testina

Se si desidera installare una testina diversa su questo giradischi, utilizzarne una avente un peso compreso tra circa 4,5 g e 9,5 g.

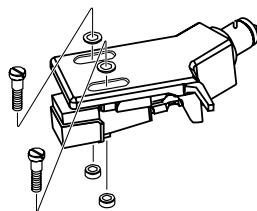
Per l'acquisto del solo portatestina, specificare che il tipo di componente desiderato è esclusivamente per PL-30-K presso il punto vendita nel quale è stato acquistato il giradischi oppure presso il centro di riparazione più vicino.

Rimozione della testina

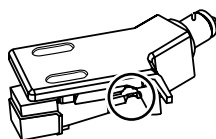
1 Ruotare il controdado del portatestina e rimuovere il portatestina.



2 Allentare le viti di fissaggio della testina e rimuoverle.



3 Scollegare i cavi elettrici sul lato della testina.

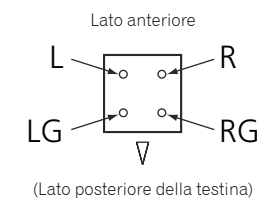


Fissaggio della testina

1 Collegare i cavi elettrici.

Sono contrassegnati da un colore come indicato nella tabella seguente. Prestare attenzione a collegarli correttamente.

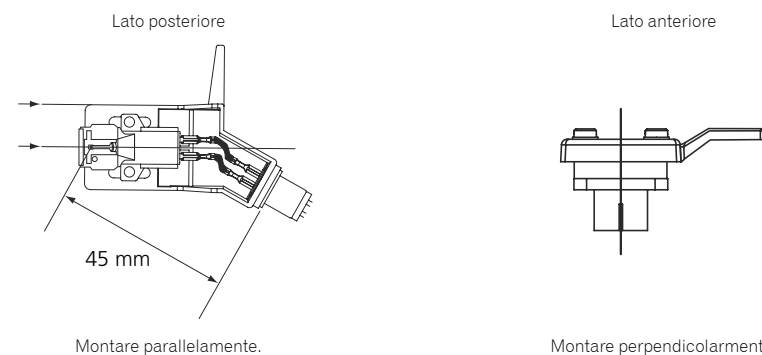
Colore	Funzione
Rosso	Canale destro (R)
Bianco	Canale sinistro (L)
Verde	Massa canale destro (RG)
Blu	Massa canale sinistro (LG)



2 Fissare la testina.

Per ottenere la sporgenza desiderata, effettuare l'installazione in modo che l'estremità della puntina si trovi a 45 mm dal bordo della superficie di montaggio del portatestina (la rondella di gomma) come indicato nella seguente figura.

- La sporgenza per questo giradischi deve essere pari a 19 mm.



3 Serrare le viti di fissaggio della testina per installare la testina.



Note

- Dopo aver sostituito la testina, regolare nuovamente il bilanciamento orizzontale, la pressione della puntina e il valore dell'antiskating.
- Lo spessore del terminale dipende dalla testina nuova ed alcuni terminali potrebbero non collegarsi correttamente. In questo caso, utilizzare il cavo elettrico di ricambio in dotazione.

Risoluzione dei problemi

- Se il giradischi non funziona correttamente, consultare la seguente tabella di ricerca guasti. Se non è possibile risolvere il problema, contattare il proprio centro di assistenza oppure il proprio punto vendita.

Problema	Controllare	Rimedio
L'apparecchio non è acceso.	Il cavo di alimentazione è collegato correttamente?	Collegare correttamente il cavo di alimentazione in dotazione ad una presa di corrente.
Il piatto non ruota.	La fascia è in posizione?	Controllare la fascia e i rulli. Se la fascia è fuoriuscita dal piatto, installarla seguendo le istruzioni riportate in Montaggio. (Pagina 4)
	La fascia presenta dei tagli?	Controllare la fascia e il rullo. Se la fascia presenta dei tagli, sostituirla con una nuova.
Audio assente o insufficiente.	I cavi audio sono collegati correttamente?	Collegare correttamente i cavi audio.
	I terminali e gli spinotti sono sporchi?	Pulire i terminali e gli spinotti prima di procedere al collegamento.
	Il portatestina è collegato correttamente?	Collegare correttamente il portatestina.
I suoni sono distorti.	L'interruttore dell'equalizzatore si trova in posizione [LINE] , anche se il giradischi è collegato al terminale PHONO dell'amplificatore?	Quando il giradischi è collegato al terminale PHONO, portare l'interruttore dell'equalizzatore in posizione [PHONO] .
I suoni sono eccessivamente bassi.	L'interruttore dell'equalizzatore si trova in posizione [PHONO] , anche se il giradischi è collegato al terminale AUX dell'amplificatore?	Quando il giradischi è collegato al terminale AUX, portare l'interruttore dell'equalizzatore in posizione [LINE] . (Assicurarsi che il volume dell'amplificatore sia al minimo prima di modificare la posizione dell'interruttore dell'equalizzatore.)
L'audio del lato sinistro e del lato destro sono invertiti.	I collegamenti per i canali sinistro e destro di ogni apparecchiatura sono invertiti?	Collegare correttamente i cavi audio e i cavi elettrici del portatestina.
Durante la riproduzione si avvertono dei rumori di sottofondo (brusii o ronzii).	Vicino al cavo di collegamento è presente un dispositivo elettronico come una lampada fluorescente o il corrispondente cavo di alimentazione?	Spostare il più lontano possibile il cavo di alimentazione della lampada fluorescente o di qualsiasi altro dispositivo.
La puntina non scende sul disco.	La pressione della puntina è stata regolata in modo corretto?	Far corrispondere il contrappeso al valore adeguato per la pressione della puntina a seconda della testina in uso.
	Il braccio è bilanciato orizzontalmente?	Ruotare il contrappeso finché il braccio non rimane in posizione orizzontale.
La puntina salta.	La pressione della puntina è stata regolata in modo corretto?	Far corrispondere il contrappeso al valore adeguato per la pressione della puntina a seconda della testina in uso.
	Il disco è deformato o graffiato?	Controllare le condizioni del disco.
	Sulla puntina è presente molta polvere?	Rimuovere il portatestina con la testina e utilizzare un pennellino con punta morbida per rimuovere polvere e residui simili dalla puntina.
	L'antiskating è regolato correttamente?	Regolare correttamente l'antiskating.
	L'altezza del braccio è regolata correttamente?	Regolare correttamente l'altezza del braccio.

Problema	Controllare	Rimedio
Il braccio si ferma e non avanza.	Il disco è graffiato?	Controllare le condizioni del disco.
	Il braccio entra in contatto con altri oggetti?	Controllare la zona del braccio e, se è presente qualche ostacolo, rimuoverlo.
Il volume è troppo basso o troppo alto.	Il collegamento all'amplificatore è adeguato al tipo di testina (uscita)?	Collegare correttamente i cavi di collegamento.

Precauzioni per l'uso

La condensa

In inverno, all'interno dell'unità (sulle parti in funzione e sulle lenti) si potrebbero formare delle goccioline di acqua (condensa), ad esempio se l'unità viene spostata da un luogo freddo ad una stanza calda oppure se la temperatura della stanza in cui l'unità è installata sale improvvisamente (per l'impianto di riscaldamento, ecc.). Con della condensa all'interno, l'unità non sarà in grado di funzionare in modo corretto e la riproduzione risulterà impossibile. Lasciare l'unità a riposo da 1 a 2 ore a temperatura ambiente (per quanto questo tempo dipenda dalle condizioni di condensa) senza inserire l'alimentazione. Le goccioline d'acqua evaporeranno e la riproduzione sull'unità diverrà nuovamente possibile. La condensa può formarsi anche in estate se l'unità viene esposta direttamente al flusso d'aria di un condizionatore, ecc. Se ciò dovesse accadere, spostare l'unità in una posizione diversa.

Spostamento e trasporto dell'unità

Utilizzare il materiale originale per imballare l'unità.

Se il materiale di imballaggio originale non è disponibile, effettuare le seguenti operazioni.

- Staccare la piastra del piatto e il piatto e imballarli con cura.
- Staccare il portatestina e il contrappeso e imballarli con cura.
- Utilizzare il bloccabraccio per tenere fermo il braccio e applicare anche del nastro adesivo in modo che non si muova.
- Avvolgere l'unità principale con un panno o un foglio di carta morbida in modo che non venga danneggiato.

Manutenzione delle parti

Quando si collega e si scollega il portatestina, spegnere l'amplificatore.

Se si dovessero eseguire queste operazioni mentre il volume è alto, gli altoparlanti potrebbero danneggiarsi.

- Rimuovere il portatestina con la testina e utilizzare un pennellino con punta morbida per rimuovere polvere e residui simili dalla puntina.
- Utilizzare un prodotto di buona qualità per pulire i dischi.
- Utilizzare un panno morbido o un altro prodotto simile per pulire il terminale del portatestina, quindi fissarlo nuovamente al braccio.

Pulizia del coperchio antipolvere e di altre parti.

Utilizzare un panno morbido per pulire il coperchio antipolvere e il cabinet.

- Non pulire il coperchio antipolvere durante la riproduzione di un disco. L'elettricità statica potrebbe far sì che il braccio venga attratto verso il coperchio antipolvere.

Marchi di fabbrica e marchi di fabbrica registrati

- Pioneer è un marchio di fabbrica registrato della PIONEER CORPORATION.
- I nomi delle aziende e dei prodotti riportati sono marchi di fabbrica dei rispettivi proprietari.

Specifiche

Requisiti di alimentazione	CA da 220 V a 240 V, 50 Hz/60 Hz
Consumo di corrente	2 W
Peso unità principale	5,6 kg
Dimensioni massime	435 mm (L) × 110 mm (A) × 372,6 mm (P)
Temperature di funzionamento tollerabili	Da +5 °C a +35 °C
Umidità di funzionamento tollerabile	Da 5 % a 85 % (senza condensa)

Piatto

Metodo di azionamento	A fascia
Motore	Servomotore CC
Velocità di rotazione	33 giri e 1/3, 45 giri
Wow and flutter	0,1 % o inferiore WRMS (JIS WTD)
Rapporto S/N	60 dB (DIN-B)
Piatto	In alluminio pressofuso

Braccio

Tipo di braccio	Braccio diritto con tipo di bilanciamento statico
Lunghezza effettiva	221,5 mm
Sporgenza	19 mm
Intervallo variabile di pressione della puntina	Da 0 g a 4,0 g (1 scala di 0,1 g)
Peso adatto alla testina Da	4,5 g a 9,5 g (singola testina)
Tipo di testina	MM
Peso portatestina	10,0 g (compresi viti e dadi)

Tensione in uscita

PHONO	2,5 mV
LINE	150 mV

- I dati tecnici ed il design di questo prodotto sono soggetti a modifiche senza preavviso.
- © 2014 PIONEER HOME ELECTRONICS CORPORATION. Tutti i diritti riservati.



Deponeer dit product niet bij het gewone huishoudelijk afval wanneer u het wilt verwijderen. Er bestaat een speciaal wettelijk voorgeschreven verzamelstelsel voor de juiste behandeling, het opnieuw bruikbaar maken en de recycling van gebruikte elektronische producten.

In de lidstaten van de EU, Zwitserland en Noorwegen kunnen particulieren hun gebruikte elektronische producten gratis bij de daarvoor bestemde verzamelplaatsen of een verkooppunt (indien u aldaar een gelijkwaardig nieuw product koopt) inleveren.

Indien u zich in een ander dan bovengenoemd land bevindt kunt u contact opnemen met de plaatselijke overheid voor informatie over de juiste verwijdering van het product.

Zodoende zorgt u ervoor dat het verwijderde product op de juiste wijze wordt behandeld, opnieuw bruikbaar wordt gemaakt, gerecycleerd en het niet schadelijk is voor de gezondheid en het milieu.

K058b_A1_NI

WAARSCHUWING

Dit apparaat is niet waterdicht. Om brand of een elektrische schok te voorkomen, mag u geen voorwerp dat vloeistof bevat in de buurt van het apparaat zetten (bijvoorbeeld een bloemenvaas) of het apparaat op andere wijze blootstellen aan waterdruppels, opspattend water, regen of vocht.

D3-4-2-1-3_A1_NI

WAARSCHUWING

Om brand te voorkomen, mag u geen open vuur (zoals een brandende kaars) op de apparatuur zetten.

D3-4-2-1-7a_A1_NI

Gebruiksomgeving

Temperatuur en vochtigheidsgraad op de plaats van gebruik:

+5 °C tot +35 °C, minder dan 85 % RH (ventilatieopeningen niet afgedekt)

Zet het apparaat niet op een slecht geventileerde plaats en stel het apparaat ook niet bloot aan hoge vochtigheid of direct zonlicht (of sterke kunstmatige verlichting).

D3-4-2-1-7c*_A1_NI

LET OP

Aangezien er na het uitschakelen van het apparaat nog een kleine hoeveelheid stroom blijft lopen, moet u de stekker uit het stopcontact halen om het apparaat volledig van het lichtnet los te koppelen. Plaats het apparaat zodanig dat de stekker in een noodgeval gemakkelijk uit het stopcontact kan worden gehaald. Om brand te voorkomen, moet u de stekker uit het stopcontact halen wanneer u het apparaat langere tijd niet denkt te gebruiken (bijv. wanneer u op vakantie gaat).

D3-4-2-2-2a*_A1_NI

LET OP

OM HET GEVAAR VOOR EEN ELEKTRISCHE SHOCK TE VOORKOMEN, DEKSEL (OF RUG) NIET VERWIJDEREN. AAN DE BINNENZIJDE BEVINDEN ZICH GEEN ELEMENTEN DIE DOOR DE GEBRUIKER KUNNEN BEDIEND WORDEN. ENKEL DOOR GEKWALIFICEERD PERSONEEL TE BEDIENEN.

D3-4-2-1-1_B2_NI

WAARSCHUWING NETSNOER

Pak het netsnoer beet bij de stekker. Trek de stekker er niet uit door aan het snoer te trekken en trek nooit aan het netsnoer met natte handen aangezien dit kortsluiting of een elektrische schok tot gevolg kan hebben. Plaats geen toestel, meubelstuk o.i.d. op het netsnoer, en klem het niet vast. Maak er nooit een knoop in en verbind het evenmin met andere snoeren. De netsnoeren dienen zo te worden geleid dat er niet per ongeluk iemand op gaat staan. Een beschadigd netsnoer kan brand of een elektrische schok veroorzaken. Controleer het netsnoer af en toe. Wanneer u de indruk krijgt dat het beschadigd is, dient u bij uw dichtstbijzijnde erkende PIONEER onderhoudscentrum of uw dealer een nieuw snoer te kopen.

S002*_A1_NI

WAARSCHUWING

Berg kleine onderdelen op buiten het bereik van kinderen en peuters. Raadpleeg onmiddellijk een arts indien kleine onderdelen per ongeluk worden ingeslikt.

D41-6-4_A1_NI

BELANGRIJKE INFORMATIE BETREFFENDE DE VENTILATIE

Let er bij het installeren van het apparaat op dat er voldoende vrije ruimte rondom het apparaat is om een goede doorstroming van lucht te waarborgen (tenminste 15 cm boven, 5 cm achter en 5 cm aan de zijkanten van het apparaat).

D3-4-2-1-7d*_A1_NI

Dit apparaat is bestemd voor normaal huishoudelijk gebruik. Indien het apparaat voor andere doeleinden of op andere plaatsen wordt gebruikt (bijvoorbeeld langdurig gebruik in een restaurant voor zakelijke doeleinden, of gebruik in een auto of boot) en als gevolg hiervan defect zou raken, zullen de reparaties in rekening gebracht worden, ook als het apparaat nog in de garantieperiode is.

K041_A1_NI

Hartelijk dank voor uw aankoop van dit Pioneer product. Lees deze gebruiksaanwijzing aandachtig door, zodat u vertrouwd raakt met de bediening van dit apparaat.

Inhoud

01 Voordat u begint

Kenmerken.....	4
De inhoud van de verpakking controleren	4
Montage	4

02 Bediening

Namen van onderdelen en functies.....	6
Afstellen.....	6
De apparatuur aansluiten	7
Afspelen.....	8
Het afspelen pauzeren	8
Het afspelen beëindigen	8
Bijkomende informatie.....	8

03 Overige

Problemen oplossen	10
Voorzorgen bij het gebruik.....	10
Onderhoud van de onderdelen.....	10
Over handelsmerken en gedeponeerde handelsmerken	10
Specificaties.....	11

Kenmerken

Volledig automatische platenspeler, eenvoudig in gebruik

Als u de grootte van de plaat hebt geselecteerd, hoeft u alleen nog maar op de [START]-toets te drukken om een plaat af te spelen. Als de plaat is afgespeeld, zet de platenspeler de toonarm volledig automatisch terug in de uitgangspositie.

Stabiele platenspeler vanwege het lage zwaartepunt van de kast

De onderkant van de platenspeler bestaat uit een stalen plaat, zodat de volledige kast een laag zwaartepunt heeft. Hierdoor speelt de platenspeler de platen stabiel af, zelfs als er trillingen van buitenaf optreden.

Uitgerust met een phono-equalizer, die AAN/UIT kan worden geschakeld

Vanwege de eigen phono-equalizer kan de platenspeler rechtstreeks op een versterker zonder PHONO-aansluiting worden aangesloten. Als de versterker wel een phono-equalizer heeft, kan deze functie worden uitgeschakeld.

Geleverd met een high-performance MM-element

Aangezien de platenspeler met element wordt geleverd, kunt u hem meteen gebruiken.

Geleverd met een rubbermat van gemiddelde dikte

De 5 mm dikke rubbermat onderdrukt trillingen van buitenaf en verbetert tevens de grip tussen de plaat en de draaitafel, zodat de platen stabiel worden afgespeeld.

Discreet ontwerp

Het uiterlijk en de afwerking zorgen voor een rustige uitstraling waardoor de platenspeler goed past bij uw andere onderdelen en bij uw interieur.

Afneembaar stroomsnoer

Bij het verplaatsen van de platenspeler zitten geen kabels in de weg; het loskoppelen van de platenspeler vormt dus geen probleem.

De inhoud van de verpakking controleren

Controleer of u de volgende bijgeleverde toebehoren hebt ontvangen:

- Draaitafel
- Draaitafelblad
- Stofdeksel met afneembare scharnieren
- Adapter voor EP-platen
- Contragewicht
- Headsnell met element
- Reservekabeltje
- Netsnoer
- Handleiding (dit document)
- Garantiebewijs

WAARSCHUWING

Berg kleine onderdelen op buiten het bereik van kinderen en peuters. Raadpleeg onmiddellijk een arts indien kleine onderdelen per ongeluk worden ingeslikt.

D41-6-4_A1_NI

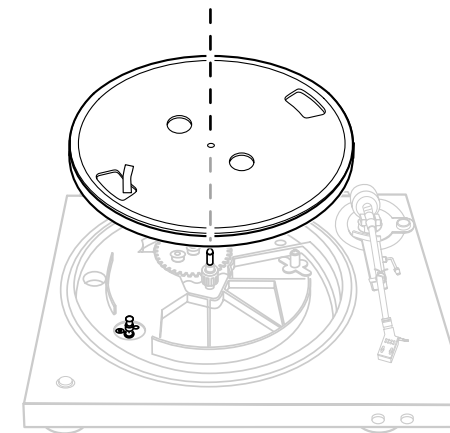
Montage

- Verwijder de bevestigingsdraad waarmee de toonarm is vastgezet pas nadat de platenspeler helemaal is gemonteerd.
- Sluit het stroomsnoer pas aan nadat de montage van de platenspeler en alle aansluitingen op andere apparatuur zijn voltooid.

1 Plaats de draaitafel.

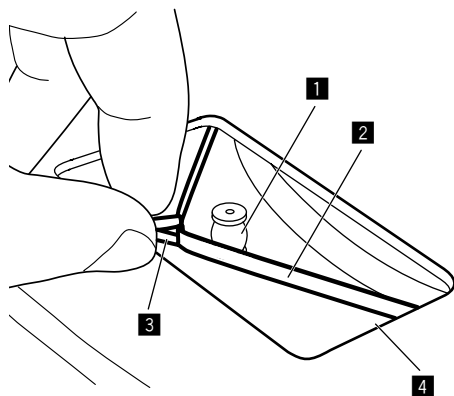
Plaats de draaitafel op de middenas.

- Wees voorzichtig dat u de draaitafel niet laat vallen of er niet mee tegen het hoofdapparaat stoot.



- 2 Draai de draaitafel zodanig dat het wielje zichtbaar is door het vierkante gat met de tape waarmee de snaar wordt gegrepen.

3 Knijp in de tape en vang de snaar in het midden op de buitenkant van het wieltje.



- 1 Wieltje
- 2 Snaar
- 3 Tape
- 4 Vierkant gat

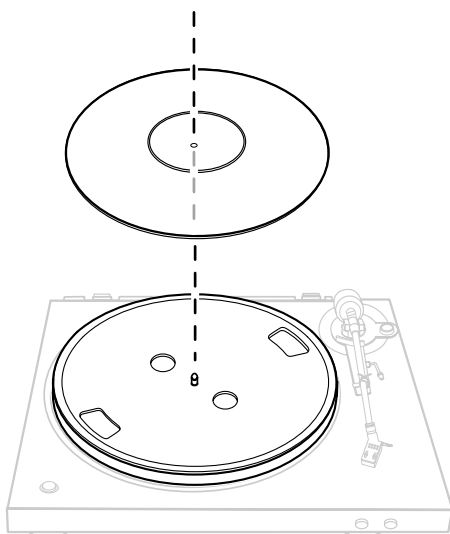
4 Verwijder de tape.

5 Draai de draaitafel vijf of zes keer langzaam rond.

Controleer of de snaar goed in het midden van het wieltje zit.

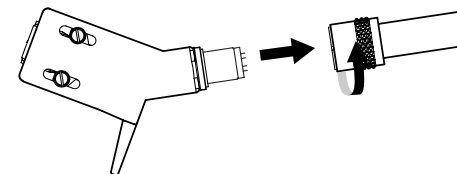
6 Plaats het draaitafelblad.

- De mat van de draaitafel heeft een boven- en onderkant. Leg de mat op de draaitafel met de onderkant, waarop het logo van Pioneer staat, naar beneden.



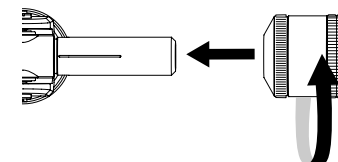
7 Bevestig de headshell.

Steek de headshell met het hieraan bevestigde element in de toonarm. Draai vervolgens de borgmoer aan, terwijl u de headshell horizontaal houdt.



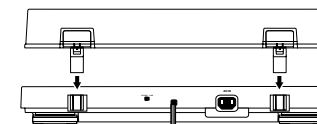
8 Bevestig het contragewicht.

Bevestig het contragewicht aan de achterkant van de toonarm.



9 Breng de stofkap aan.

Steek de scharnieren van het stofdeksel goed in hun houders op de achterzijde van de draaitafel.



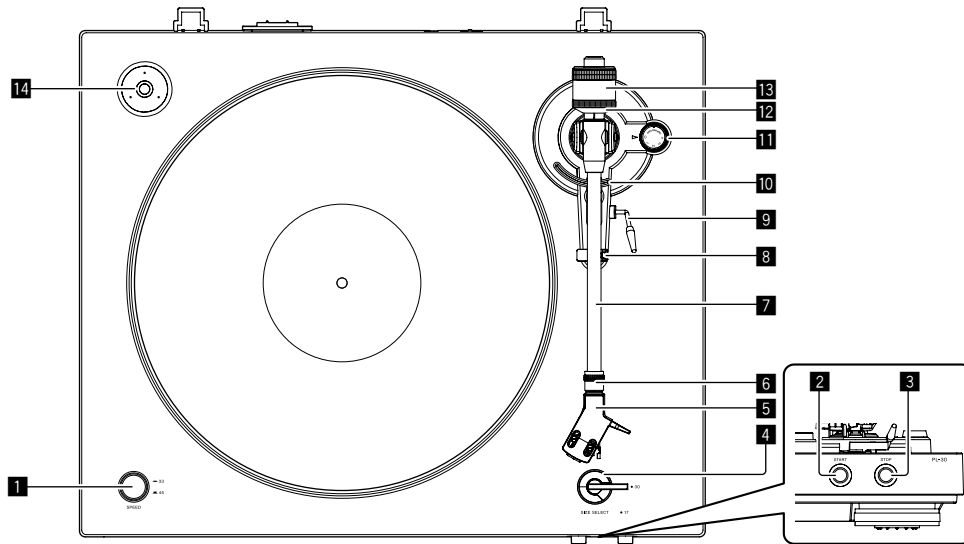
- Steek beide scharnieren er goed in.
- Voor het verwijderen van de stofkap opent u de stofkap helemaal en trekt u deze omhoog terwijl u de stofkap bij de scharnierklemmen vasthoudt.

10 Verwijder de bevestigingsdraad waarmee de toonarm is vastgezet.

Verwijder de bevestigingsdraad waarmee de toonarm is vastgezet pas nadat de montage is voltooid.

Namen van onderdelen en functies

Bovenpaneel



1 SPEED -toets

Hiermee wijzigt u de snelheid volgens de af te spelen plaat.

2 START -toets

Wanneer u op deze toets drukt, gaat de draaitafel draaien.

3 STOP -toets

Wanneer u op deze toets drukt, stopt de draaitafel.

4 SIZE SELECT -hendel

Hiermee wijzigt u de grootte volgens de af te spelen plaat.

5 Headshell

Wordt gebruikt met een element eraan bevestigd.

6 Borgmoer

Hiermee wordt het element vastgezet.

7 Toonarm

8 Armsteun

Ondersteunt de toonarm.

9 Lifthendel

De toonarm gaat omhoog wanneer de hendel omhoog wordt getrokken. De toonarm gaat omlaag wanneer de hendel omlaag wordt gedruwd.

10 Armlift

Hiermee beweegt u de toonarm omhoog en omlaag. De armlift wordt bediend met de lifthendel.

11 ANTI-SKATING -draaiknop

Wanneer een plaat wordt afgespeeld, wordt de punt van de naald naar het midden getrokken. Wanneer deze draaiknop wordt ingesteld op de naalddruk, wordt deze kracht opgeheven.

12 Afstelling voor de naalddruk

Wordt gebruikt om de juiste naalddruk in te stellen voor het element.

13 Contragewicht

Wordt gebruikt om de balans van de toonarm en de naalddruk aan te passen.

14 Adapter voor EP-platen

Wordt gebruikt om standaard EP-platen af te spelen.

Afstellen

De balans van de toonarm afstellen

Ga als volgt te werk:

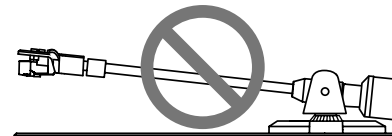
- Bij elementen met afneembare naaldkap verwijdert u de naaldkap.
- Duw de lifthendel omlaag.

1 Zet de [ANTI-SKATING]-draaiknop op "0".

2 Neem de toonarm van de armsteun weg en stel de balans zo af dat de toonarm horizontaal staat.

Draai aan het contragewicht tot de toonarm bijna horizontaal staat.

- Let bij het verplaatsen van de toonarm goed op dat de naaldpunt niet rechtstreeks in aanraking komt met de draaitafel en dergelijke.



Contragewicht te ver naar achteren

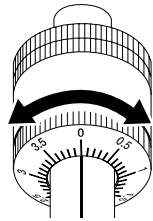


Contragewicht te ver naar voren

De naalddruk afstellen

- 1 Plaats de toonarm weer op de armsteun.
- 2 Breng de "0" op de afstelring voor de naalddruk naar de middenlijn op het achterstuk van de toonarm.

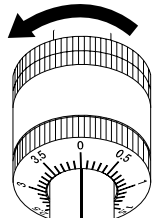
Houd het contragewicht met uw vinger tegen zodat het niet beweegt en draai alleen de afstelring voor de naalddruk zodat het cijfer "0" op de zwarte middenlijn van het achterstuk van de toonarm komt te staan.



3 Stel de naalddruk af.

Draai aan het contragewicht om de juiste naalddruk in te stellen voor het gebruikte element.

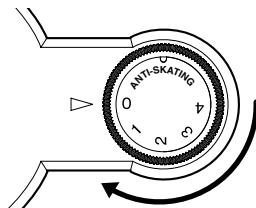
- Wanneer u aan het contragewicht draait, draait de afstelring voor de naalddruk mee. Houd de afstelring in de gaten en stel de naalddruk af op de juiste waarde.
- De juiste naalddruk voor het meegeleverde element is 3,5 g. Stel in op "3,5".



Anti-skating aanpassen

Met deze aanpassing wordt voorkomen dat de naald springt.

- 1 Zet de meetschaal op dezelfde waarde als naalddruk.
- 2 Draai aan de [ANTI-SKATING]-draaiknop zodat de referentiemarkering overeenkomt met de waarde van de naalddruk voor het element.

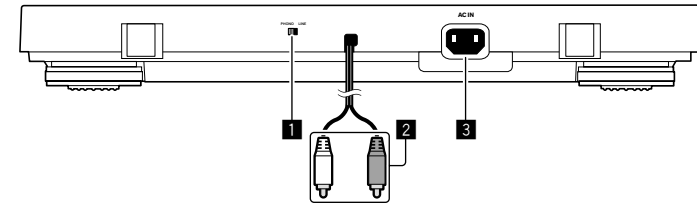


De apparatuur aansluiten

De apparatuur aansluiten

- Schakel altijd eerst de stroom uit en trek de stekker van het stroomsnoer uit het stopcontact alvorens aansluitingen te maken of te wijzigen.
- Zie tevens de handleiding van de aan te sluiten apparatuur.
- Sluit het stroomsnoer pas aan nadat alle aansluitingen tussen de apparatuur zijn voltooid.

Beschrijving van de aansluitingen



1 Equalizerschakelaar

Zet deze schakelaar in de juiste stand volgens de audio-ingangsaansluiting van de pre-hoofdversterker of een andere component.

2 RCA-uitgangsaansluitingen

Deze worden aangesloten op de audio-ingangsaansluiting van de pre-hoofdversterker of een andere component.

3 AC IN-aansluiting

Deze wordt aangesloten op een stopcontact met het meegeleverde stroomsnoer. Wacht tot alle aansluitingen tussen de apparatuur zijn gemaakt voordat u het stroomsnoer aansluit.

- Gebruik alleen het meegeleverde stroomsnoer.

Aansluiten op een pre-hoofdversterker en component

1 Zet de equalizerschakelaar in de juiste stand.

PHONO: wanneer u de platenspeler aansluit op de PHONO-ingangsaansluiting (de ingebouwde equalizer van de platenspeler wordt niet gebruikt).

LINE: wanneer u de platenspeler aansluit op een andere dan de PHONO-ingangsaansluiting (de ingebouwde equalizer van de platenspeler wordt gebruikt).

2 Sluit de RCA-uitgangsaansluiting aan op de ingangsaansluiting van de pre-hoofdversterker of een andere component.

3 Sluit het stroomsnoer aan.

Deze wordt aangesloten op een stopcontact met het meegeleverde stroomsnoer. Wacht tot alle aansluitingen tussen de apparatuur zijn gemaakt voordat u het stroomsnoer aansluit.

- Controleer de wattage vermeld bij de uitgang voordat u het apparaat aansluit op de uitgang (netstroomuitgang) van de aangesloten apparatuur. (Dit apparaat heeft een stroomverbruik van 2 W.)
- Als de platenspeler begint af te spelen wanneer het stroomsnoer wordt aangesloten, drukt u op de [STOP]-toets.

Geschikte opstelling

Plaats het apparaat op een vlak oppervlak zonder externe trillingen.

- Houd het apparaat zo ver mogelijk uit de buurt van het luidsprekersysteem.
- Als het apparaat erg dicht bij een radio (AM/FM) staat, kan de radio ruis veroorzaken. Houd de afstand zo groot mogelijk.

Afspelen

Ga als volgt te werk:

- Plaats een plaat op de draaitafel.
- Verwijder de naaldkap en let daarbij op dat u de naaldpunt niet aanraakt.

1 Druk op de [SPEED]-toets om de afspeelsnelheid van de plaat in te stellen.

Om 45-toerenplaten af te spelen, stelt u de toets in op de verhoogde stand [■]; voor 33 1/3-toerenplaten moet de toets in de ingedrukte stand [■] staan.

- Om een standaard EP-plaat af te spelen, bevestigt u de EP-adaptor op de middenas. Nu kunt u de EP-plaat afspelen.

2 Zet de [SIZE SELECT]-hendel in de stand die past bij de grootte van de plaat.

Om platen van 17 cm af te spelen, zet u de hendel in de stand [17]; om platen van 30 cm af te spelen, zet u de hendel in de stand [30].

- Om een standaard EP-plaat af te spelen, bevestigt u de EP-adaptor op de middenas. Nu kunt u de EP-plaat afspelen.

3 Druk de [START]-toets langer dan 1 seconde in.

De draaitafel begint te draaien en het afspelen begint automatisch.

- Als de plaat is afgespeeld, keert de toonarm terug naar zijn oorspronkelijke stand en stopt de draaitafel automatisch met draaien.
- Als u klaar bent met platen draaien, moet u de naaldkap weer aanbrengen om de naaldpunt te beschermen.
- Dit toestel heeft een automatische terugkeerfunctie waarmee de toonarm automatisch terugkeert naar zijn oorspronkelijke stand wanneer een bepaald punt is bereikt nadat een plaat is afgespeeld. Hoewel er geen problemen zijn bij platen van een normale grootte die tot dit punt groeven hebben, kan de automatische terugkeerfunctie worden geactiveerd voordat het afspelen is voltooid.

Opmerkingen

- Raak tijdens het afspelen de toonarm of de draaitafel niet aan, en zet de stroom niet uit.
- Het automatische afspeelsysteem kan niet worden gebruikt bij platen van 25 cm. In dit geval dient u de bediening handmatig uit te voeren. Druk op de [STOP]-toets als de toonarm na het afspelen niet naar zijn oorspronkelijke stand terugkeert.

Het afspelen pauzeren

Duw de lifthendel omhoog.

De naald van het element wordt van de plaat getild.

- Duw de lifthendel omlaag om het afspelen te hervatten.

Het afspelen beëindigen

- 1 Duw de lifthendel omhoog, beweeg de toonarm naar de armsteun en duw de lifthendel omlaag.
- 2 Druk op de [STOP]-toets.
 - Als u klaar bent met platen draaien, moet u de naaldkap weer aanbrengen om de naaldpunt te beschermen.

Bijkomende informatie

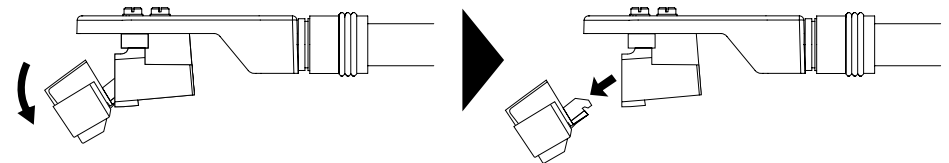
De naald vervangen

De meegeleverde naald heeft een levensduur van ongeveer 400 uren. Om te voorkomen dat uw waardevolle platen worden beschadigd, moet u de naald tijdig vervangen. Koop een vervangende naald in de winkel waar u de platenspeler hebt gekocht of het dichtstbijzijnde service- en reparatiepunt. Leg uit dat u de vervangende naald nodig hebt voor PL-30-K.

- Schakel de versterker uit voordat u de naald vervangt en haal de stekker van het stroomsnoer van de platenspeler uit het stopcontact.
- De punt van de naald is zeer kwetsbaar; ga hier zorgvuldig mee om. Gebruik een zacht borsteltje om eventueel stof voorzichtig van de naaldpunt te verwijderen.
- Als u de headshell verwijdert, kunt u de naald gemakkelijker vervangen.

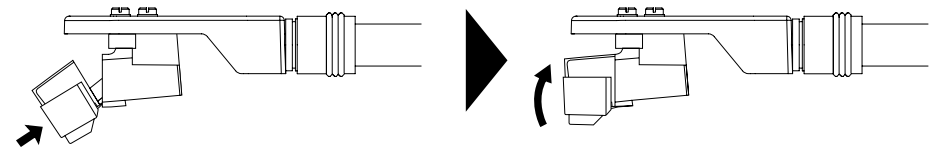
De verwisselbare naald verwijderen

- 1 Houd het element met één hand stevig vast, neem de verwisselbare naald met de andere hand vast en duw hem naar beneden.
- 2 Trek de naald voorzichtig los in de richting van de pijl.



De verwisselbare naald aanbrengen

- 1 Houd het element met één hand vast, neem de verwisselbare naald met de andere hand vast, richt het lipje op de verwisselbare naald en steek hem helemaal in het lange gat op het element.
- 2 Duw hem in de richting van de pijl omhoog totdat u een klik hoort.



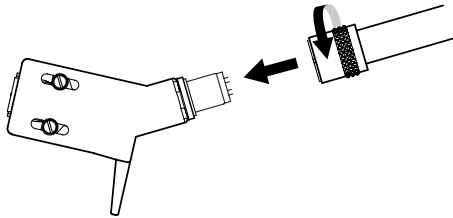
Het element vervangen

Als u een ander element op deze platenspeler wilt gebruiken, moet dit ongeveer 4,5 g tot 9,5 g wegen.

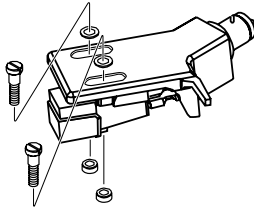
Als u uitsluitend een headshell wilt kopen, moet u bij uw winkel van aankoop of het dichtstbijzijnde service- en reparatiepunt vragen naar een headshell voor PL-30-K.

Het element verwijderen

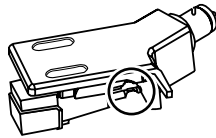
1 Draai aan de borgmoer van de headshell en haal de headshell eraf.



2 Draai de bevestigingsschroeven van het element los en verwijder deze.



3 Koppel de bedrading aan de zijkant van het element los.

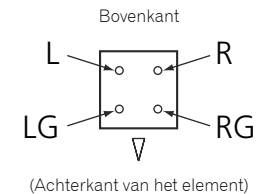


Het element aanbrengen

1 Sluit de bedrading aan.

De kleurcodering staat hieronder afgebeeld. Zorg ervoor dat u ze correct aansluit.

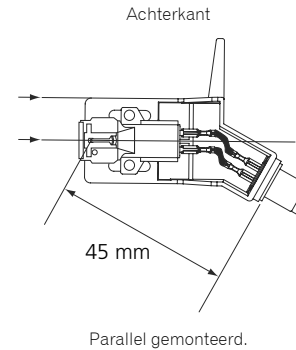
Kleur	Functie
Rood	Rechterkanaal (R)
Wit	Linkerkanaal (L)
Groen	Aardekabel rechterkanaal (RA)
Blauw	Aardekabel linkerkanaal (LA)



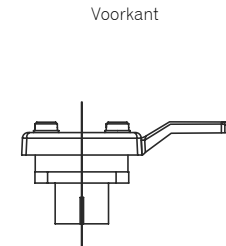
2 Bevestig het element.

Om de vereiste overhang te verkrijgen, monteert u het zodanig dat de naaldpunt ongeveer 45 mm uitsteekt vanaf de rand van het montagevlak (de rubberen sluitring) van de headshell, zoals getoond in de onderstaande afbeelding.

- De overhang voor deze platenspeler moet 19 mm zijn.



Parallel gemonteerd.



Loodrecht gemonteerd.

3 Draai de bevestigingsschroeven van het element aan om het element te monteren.

Opmerkingen

- Nadat u het element hebt vervangen, moet u de horizontale balans, de naalddruk en de anti-skatingwaarde opnieuw afstellen.
- De dikte van de aansluiting is afhankelijk van het vervangende element; sommige kunnen niet stevig worden aangesloten. In dat geval dient u het meegeleverde reservekabeltje te gebruiken.

Problemen oplossen

- Als uw platenspeler niet correct werkt, kunt u onderstaande tabel gebruiken om de storing te vinden. Als u het probleem niet kunt oplossen, kunt u contact opnemen met onze klantenservice of uw verkooppunt.

Probleem	Controle	Oplossing
De stroom wordt niet ingeschakeld.	Is het stroomsnoer naar behoren aangesloten?	Sluit het meegeleverde stroomsnoer op de juiste manier aan op een stopcontact.
De draaitafel draait niet.	Zit de snaar op de goede plek? Is de snaar kapot?	Controleer de snaar en wieltes. Als de snaar van de draaitafel is gegleden, brengt u deze weer aan volgens de instructies in Montage. (Pagina 4) Controleer de snaar en het wielte. Als de snaar kapot is, moet u hem door een nieuwe vervangen.
Er klinkt geen of nauwelijks geluid.	Zijn de audiokabels juist aangesloten? Zijn de aansluitingen en stekkers vuil? Is de headshell correct bevestigd?	Zorg dat de audiokabels juist zijn aangesloten. Maak de aansluitingen en stekkers schoon voordat u de kabels aansluit. Bevestig de headshell op de juiste wijze.
Het geluid wordt vervormd.	Staat de equalizerschakelaar in de stand [LINE], maar is de platenspeler aangesloten op de PHONO-aansluiting van uw versterker?	Als de platenspeler is aangesloten op een PHONO-aansluiting, zet u de equalizerschakelaar in de stand [PHONO].
Het geluid is zeer zacht.	Staat de equalizerschakelaar in de stand [PHONO], maar is de platenspeler aangesloten op de AUX-aansluiting van uw versterker?	Als de platenspeler is aangesloten op een AUX-aansluiting, zet u de equalizerschakelaar in de stand [LINE]. (Zorg ervoor dat u het volume op de versterker in de laagste stand zet voordat u de stand van de equalizerschakelaar wijzigt.)
Het geluid links en rechts is verwisseld.	Zijn de aansluitingen voor links en rechts op elk onderdeel van de apparatuur correct?	Sluit de audiokabel en de draden van de headshell correct aan.
Er klinkt een laag zoemgeluid (zoemend of brommend geluid) tijdens het afspelen.	Bevindt er zich in de buurt van het aansluitsnoer een ander elektrisch apparaat zoals een tl-lamp of het stroomsnoer ervan?	Plaats het stroomsnoer van de tl-lamp of een ander apparaat zo ver mogelijk uit de buurt.
De naaldpunt komt niet omlaag op de plaat.	Is de naalddruk correct ingesteld? Is de toonarm horizontaal in evenwicht?	Stel het contragewicht af voor de juiste naalddruk voor het gebruikte element. Draai aan het contragewicht tot de toonarm horizontaal staat.
De naald springt.	Is de naalddruk correct ingesteld? Is de plaat krom of vertoont hij krassen? Zit er veel stof aan de naaldpunt?	Stel het contragewicht af voor de juiste naalddruk voor het gebruikte element. Controleer de staat van de plaat. Verwijder de shell met het element, en gebruik een borsteltje met een zachte punt of een penseel om stof en dergelijke voorzichtig van de naaldpunt te verwijderen.
	Is anti-skating correct ingesteld? Is de armhoogte correct ingesteld?	Stel anti-skating correct in. Stel de armhoogte correct in.
De arm stopt halverwege en gaat niet verder.	Vertoont de plaat krassen? Raakt de arm iets?	Controleer de staat van de plaat. Controleer de omgeving rond de arm. Verwijder een eventueel obstakel.
Het geluid is te zacht of te luid.	Is de aansluiting met de versterker correct voor het type element (uitgang)?	Zorg dat de aansluitsnoeren juist zijn aangesloten.

Voorzorgen bij het gebruik

Over condensvorming

Aan de binnenkant van het apparaat (op de werkende onderdelen en lenzen) kunnen in de winter waterdruppels (condensvorming) ontstaan, bijvoorbeeld als het apparaat van een koude plek naar een warme kamer wordt verplaatst, of als de temperatuur van de ruimte waarin het apparaat staat plotseling stijgt (door de verwarming enz.). Het apparaat functioneert niet goed en kan geen plaat afspelen als zich binnenin condens bevindt. Laat het apparaat 1 tot 2 uur bij kamertemperatuur staan (deze tijd is afhankelijk van de toestand van de condensvorming) zonder dat u de stroom aansluit. De waterdruppels verdampen en het apparaat zal weer kunnen afspelen. In de zomer kan eveneens condensvorming optreden als het apparaat wordt blootgesteld aan de rechtstreekse luchtstroom van bijvoorbeeld een airconditioner. In dit geval moet u het apparaat verplaatsen.

Transport van het apparaat naar een andere locatie

Gebruik het oorspronkelijke verpakkingsmateriaal om het apparaat in te pakken.

Als het oorspronkelijke verpakkingsmateriaal niet meer beschikbaar is, let dan zeker op de volgende punten.

- Verwijder het draaitafelblad en de draaitafel en pak ze voorzichtig in.
- Verwijder de headshell en het contragewicht van de arm en pak ze zorgvuldig in.
- Zet de toonarm vast met de armklem, en maak hem met tape vast zodat hij niet kan bewegen.
- Wikkel het hoofdapparaat in een deken of zacht papier zodat het niet wordt beschadigd.

Onderhoud van de onderdelen

Zet de stroom van de versterker uit wanneer u de headshell bevestigt en verwijdert.

Als u dit doet terwijl het volume hoog staat, kan de luidspreker beschadigd worden.

- Verwijder de shell met het element, en gebruik een borsteltje met een zachte punt of een penseel om stof en dergelijke voorzichtig van de naaldpunt te verwijderen.
- Reinig platen met een platenreiniger van goede kwaliteit.
- Reinig de aansluiting van de headshell met een zachte doek of gelijkaardig materiaal en bevestig hem weer aan de toonarm.

De stofkap e.d. reinigen.

Reinig de stofkap en de kast met een zachte doek.

- Reinig de stofkap niet tijdens het afspelen. Door statische elektriciteit zou de toonarm naar de stofkap kunnen worden toegetrokken.

Over handelsmerken en gedeponeerde handelsmerken

- Pioneer is een gedeponeerde handelsmerk van PIONEER CORPORATION.

De hierin vermelde namen van bedrijven en producten zijn de handelsmerken van hun respectieve eigenaars.

Specificaties

Voedingsvereisten	AC 220 V tot 240 V, 50 Hz/60 Hz
Stroomverbruik	2 W
Gewicht hoofdapparaat	5,6 kg
Buitenafmetingen	435 mm (b) × 110 mm (h) × 372,6 mm (d)
Toegestane bedrijfstemperatuur.....	+5 °C tot +35 °C
Toegestane luchtvochtigheid	5 % tot 85 % (zonder condensatie)

Draaitafel

Aandrijfmethode	Snaaraandrijving
Motor	DC servomotor
Draaisnelheid	33 1/3 tpm, 45 tpm
Wow en flutter	0,1 % of minder WRMS (JIS WTD)
S/R-verhouding	60 dB (DIN-B)
Draaitafel	Gegoten aluminium

Toonarm

Type arm	Rechte toonarm met statische balans
Effectieve lengte	221,5 mm
Overhang	19 mm
Variabel bereik naalddruk.....	0 g tot 4,0 g (1 schaalverdeling 0,1 g)
Aangewezen gewicht van element	4,5 g tot 9,5 g (enkel element)
Type element	MM-type
Gewicht headshell	10,0 g (inclusief schroeven en moeren)

Uitgangsspanning

PHONO	2,5 mV
LINE.....	150 mV

- De technische gegevens en het ontwerp van dit product kunnen zonder voorafgaande kennisgeving worden gewijzigd.
- © 2014 PIONEER HOME ELECTRONICS CORPORATION. Alle rechten voorbehouden.



Si desea deshacerse de este producto, no lo mezcle con los residuos generales de su hogar. De conformidad con la legislación vigente, existe un sistema de recogida distinto para los productos electrónicos que requieren un procedimiento adecuado de tratamiento, recuperación y reciclado.

Las viviendas privadas en los estados miembros de la UE, en Suiza y Noruega pueden devolver gratuitamente sus productos electrónicos usados en las instalaciones de recolección previstas o bien en las instalaciones de minoristas (si adquieren un producto similar nuevo).

En el caso de los países que no se han mencionado en el párrafo anterior, póngase en contacto con sus autoridades locales a fin de conocer el método de eliminación correcto.

Al actuar siguiendo estas instrucciones, se asegurará de que el producto de desecho se somete a los procesos de tratamiento, recuperación y reciclaje necesarios, con lo que se previenen los efectos negativos potenciales para el entorno y la salud humana.

K058b_A1_Es

ADVERTENCIA

Este aparato no es impermeable. Para evitar el riesgo de incendio y de descargas eléctricas, no ponga ningún recipiente lleno de líquido (como pueda ser un vaso o un florero) cerca del aparato ni lo exponga a goteo, salpicaduras, lluvia o humedad.

D3-4-2-1-3_A1_Es

ADVERTENCIA

Para evitar el peligro de incendio, no ponga nada con fuego encendido (como pueda ser una vela) encima del aparato.

D3-4-2-1-7a_A1_Es

Entorno de funcionamiento

Temperatura y humedad del entorno de funcionamiento

+5 °C a +35 °C; menos del 85 % de humedad relativa (rejillas de refrigeración no obstruidas)

No instale este aparato en un lugar mal ventilado, ni en lugares expuestos a alta humedad o a la luz directa del sol (o de otra luz artificial potente).

D3-4-2-1-7c*_A1_Es

PRECAUCIÓN

Puesto que el cable de alimentación hace las funciones de dispositivo de desconexión de la corriente para el aparato, para desconectar toda la alimentación del aparato deberá desenchufar el cable de la toma de corriente de CA. Por lo tanto, asegúrese de instalar el aparato de modo que el cable de alimentación pueda desenchufarse con facilidad de la toma de corriente de CA en caso de un accidente. Para evitar correr el peligro de incendio, el cable de alimentación también deberá desenchufarse de la toma de corriente de CA cuando no se tenga la intención de utilizarlo durante mucho tiempo seguido (por ejemplo, antes de irse de vacaciones).

D3-4-2-2-2a*_A1_Es

PRECAUCIÓN

PARA PREVENIR EL PELIGRO DE CHOQUE ELÉCTRICO NO REMOVER LA TAPA NI LAS PARTES DENTRO NO UTILIZADAS, LLAMAR UNA PERSONA CUALIFICADA.

D3-4-2-1-1_B2_Es

PRECAUCIONES CONCERNIENTES A LA MANIPULACIÓN DEL CABLE DE ALIMENTACIÓN

Tome el cable de alimentación por la clavija. No extraiga la clavija tirando del cable. Nunca toque el cable de alimentación cuando sus manos estén mojadas, ya que esto podría causar cortocircuitos o descargas eléctricas. No coloque la unidad, algún mueble, etc., sobre el cable de alimentación. Asegúrese de no hacer nudos en el cable ni de unirlo a otros cables. Los cables de alimentación deberán ser dispuestos de tal forma que la probabilidad de que sean pisados sea mínima. Una cable de alimentación dañado podrá causar incendios o descargas eléctricas. Revise el cable de alimentación está dañado, solicite el reemplazo del mismo al centro de servicio autorizado PIONEER más cercano, o a su distribuidor.

S002*_A1_Es

ADVERTENCIA

Guarde las piezas pequeñas fuera del alcance de los niños. Si las ingirieran accidentalmente, póngase de inmediato en contacto con un médico.

D41-6-4_A1_Es

PRECAUCIÓN PARA LA VENTILACIÓN

Cuando instale este aparato, asegúrese de dejar espacio en torno al mismo para la ventilación con el fin de mejorar la disipación de calor (por lo menos 15 cm encima, 5 cm detrás, y 5 cm en cada lado).

D3-4-2-1-7d*_A1_Es

Este producto es para tareas domésticas generales. Cualquiera avería debida a otra utilización que tareas domésticas (tales como el uso a largo plazo para motivos de negocios en un restaurante o el uso en un coche o un barco) y que necesita una reparación hará que cobrarla incluso durante el período de garantía.

K041_A1_Es

Gracias por comprar este producto Pioneer. Lea detenidamente este manual de instrucciones para saber cómo operar este modelo adecuadamente.

Contenido

01 Antes de comenzar

Características.....	4
Comprobación del contenido de la caja.....	4
Montaje.....	4

02 Operación

Nombres y funciones de los controles.....	6
Ajuste.....	6
Conexión del equipo.....	7
Reproducción.....	8
Pausa de la reproducción.....	8
Final de la reproducción.....	8
Información adicional.....	8

03 Otros

Solución de problemas.....	10
Cuidados para el uso.....	10
Mantenimiento de cada parte.....	10
Acercas de las marcas comerciales y marcas comerciales registradas.....	11
Especificaciones.....	11

Características

Reproductor totalmente automático de uso muy sencillo

Una vez seleccionado el tamaño del disco, todo lo que tiene que hacer es presionar el botón [START] para comenzar la reproducción. Cuando ha terminado la reproducción, su funcionamiento totalmente automático devuelve el brazo fonocaptor a su posición.

Reproducción estable gracias al centro de gravedad bajo del chasis

La parte inferior del reproductor cuenta con una placa metálica que proporciona al chasis un centro de gravedad bajo que lo estabiliza durante la reproducción, incluso cuando existen vibraciones externas.

Equipado con un ecualizador fonográfico que se puede ACTIVAR/DESACTIVAR

Al disponer de su propio ecualizador fonográfico el reproductor se puede conectar directamente a amplificadores que no cuenten con un terminal PHONO. Si el amplificador cuenta con un ecualizador fonográfico esta función se puede desactivar.

El reproductor incluye un cartucho MM de alto rendimiento

Por este motivo, usted lo puede utilizar inmediatamente.

También se incluye una alfombrilla de goma de grosor moderado

La alfombrilla de goma de 5 mm de grosor suprime la vibración externa a la vez que mejora el agarre entre el disco y el giradiscos, para proporcionar una reproducción más estable.

Diseño discreto

Su aspecto y acabado se adaptan al ambiente combinando perfectamente con el resto de dispositivos y decoración interior.

Cable de alimentación desenchufable

Los cables no representan un obstáculo cuando se desplaza el reproductor por lo que se evitan así problemas de desconexión.

Comprobación del contenido de la caja

Compruebe que ha recibido todos los accesorios siguientes:

- Giradiscos
- Plato giradiscos
- Funda guardapolvo con bisagras desmontables
- Adaptador para discos EP
- Contrapeso
- Portacápsula con cartucho
- Cables de repuesto
- Cable de alimentación
- Manual de Instrucciones (este manual)
- Hoja de garantía

ADVERTENCIA

Guarde las piezas pequeñas fuera del alcance de los niños. Si las ingirieran accidentalmente, póngase de inmediato en contacto con un médico.

D41-6-4_A1_Es

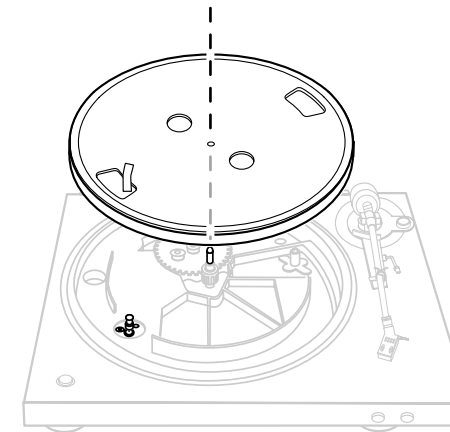
Montaje

- No retire la la brida de sujeción del brazo fonocaptor hasta que haya finalizado la instalación.
- Conecte el cable de alimentación después de terminar la instalación y las conexiones entre los aparatos.

1 Coloque el giradiscos.

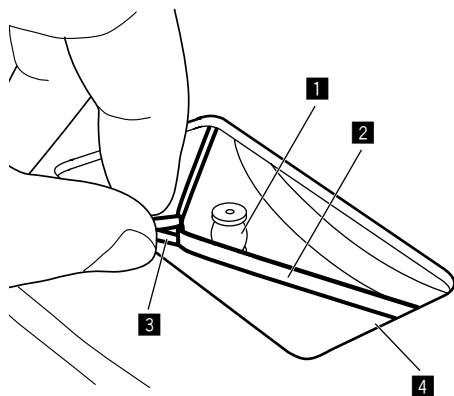
Coloque el giradiscos en el eje central.

- Tenga cuidado de no golpear el giradiscos contra la unidad principal ni dejarlo caer.



- 2 Gire el giradiscos de forma que el rodillo sea visible a través del orificio cuadrado utilizando la cinta para coger la correa.

3 Pince la cinta y capture la correa sobre el centro exterior del rodillo.



- 1 Rodillo
- 2 Correa
- 3 Cinta
- 4 Orificio cuadrado

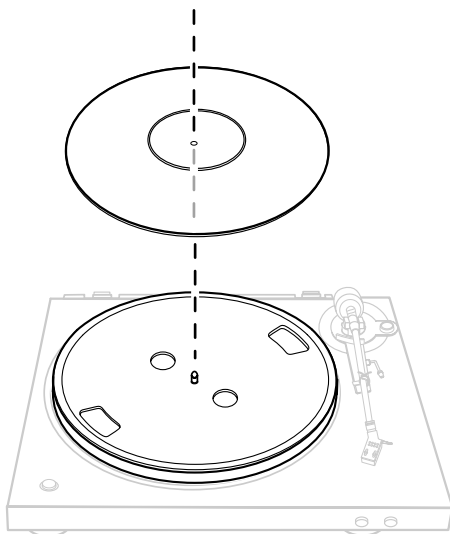
4 Retire la cinta.

5 Gire el giradiscos lentamente cinco o seis vueltas.

Compruebe que la correa está colocada de forma correcta en el centro del rodillo.

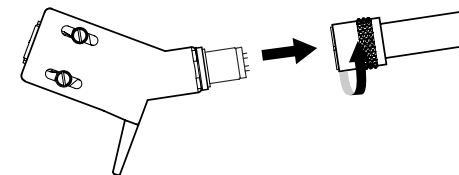
6 Coloque el plato.

- La alfombrilla del giradiscos dispone de una parte superior y una inferior. Coloque la alfombrilla en el giradiscos de forma que la parte inferior, con el logotipo de Pioneer, quede orientada hacia abajo.



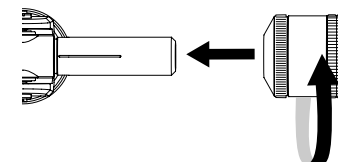
7 Monte el portacápsula.

Inserte el portacápsula con el cartucho montado en el brazo fonocaptor. A continuación, apriete la contratuerca mientras mantiene el portacápsula horizontal.



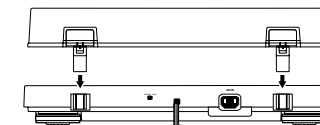
8 Monte el contrapeso.

Fije el contrapeso al eje trasero del brazo fonocaptor.



9 Monte la cubierta guardapolvo.

Introduzca firmemente las bisagras de la funda guardapolvo en sus soportes de la parte trasera del giradiscos.



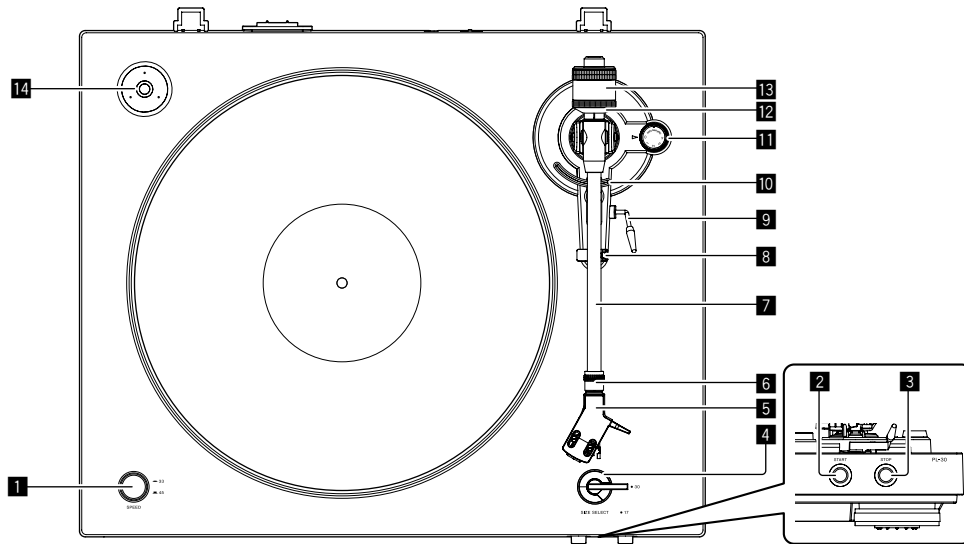
- Introduzca ambas bisagras totalmente.
- Al retirar la funda guardapolvo ábrala totalmente y, a continuación, tire de ella hacia arriba sujetando la funda guardapolvo junto a las secciones del fiador de las bisagras.

10 Retire la abrazadera de sujeción del brazo fonocaptor.

Una vez finalizada la instalación, retire la abrazadera de sujeción del brazo fonocaptor.

Nombres y funciones de los controles

Panel superior



1 Botón SPEED

Cambia la velocidad de acuerdo con el disco que se vaya a reproducir.

2 Botón START

Al pulsar el botón se inicia la rotación del giradiscos.

3 Botón STOP

Al pulsar el botón se detiene la rotación del giradiscos.

4 Palanca SIZE SELECT

Cambia el tamaño de acuerdo con el disco que se vaya a reproducir.

5 Portacápsula

Se utiliza con un cartucho montado.

6 Contratuerca

Sujeta el cartucho montado.

7 Brazo fonocaptor

8 Apoyo del brazo

Sirve como base de soporte para el brazo fonocaptor.

9 Palanca elevadora

El brazo fonocaptor asciende cuando se tira hacia arriba de la palanca. El brazo fonocaptor desciende cuando se aprieta la palanca hacia abajo.

10 Elevador del brazo

Este dispositivo se utiliza para mover el brazo fonocaptor hacia arriba y abajo. Se maneja mediante la palanca elevadora.

11 Dial ANTI-SKATING

Cuando se reproduce un disco, hay una fuerza que tira de la punta de la aguja hacia el perímetro interior. Al hacer coincidir este dial con el valor de presión de la aguja, se elimina esta fuerza.

12 Anillo de ajuste de presión de la aguja

Se utiliza para hacer coincidir con la presión adecuada de aguja del cartucho.

13 Contrapeso

Se utiliza para equilibrar el brazo fonocaptor y ajustar la presión de la aguja.

14 Adaptador para discos EP

Se utiliza para reproducir discos EP estándar.

Ajuste

Ajuste del equilibrio del brazo fonocaptor

Realice la preparación del siguiente modo:

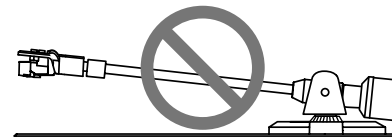
- Para cartuchos con cubiertas de aguja desmontables, retire la cubierta de aguja.
- Apriete hacia abajo la palanca elevadora.

1 Ajuste el dial [ANTI-SKATING] a "0".

2 Mantenga el brazo fonocaptor lejos del apoyo del brazo y ajuste el equilibrio de modo que esté horizontal.

Gire el contrapeso hasta que el brazo esté casi en horizontal.

- Al mover el brazo fonocaptor, asegúrese de que la punta de la aguja no toca directamente el giradiscos y similares.



Contrapeso demasiado inclinado hacia la parte trasera

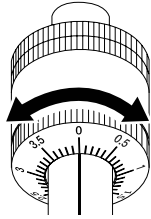


Contrapeso demasiado inclinado hacia la parte delantera

Ajuste de la presión de la aguja

- 1 Devuelva el brazo fonocaptor al apoyo del brazo.
- 2 Haga coincidir el "0" en el anillo de ajuste de presión de la aguja con la línea central del eje trasero del brazo.

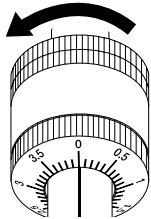
Mientras utiliza su dedo para mantener el contrapeso de modo que no se mueva, ajuste sólo el anillo de ajuste de presión de la aguja de modo que el número "0" coincida con la línea central negra del eje trasero del brazo fonocaptor.



3 Ajuste de la presión de la aguja.

Gire el contrapeso para ajustarlo al valor apropiado de la presión de la aguja para su cartucho.

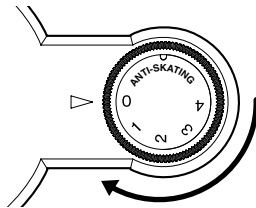
- Al girar el contrapeso, se gira conjuntamente el anillo de ajuste de presión de la aguja. Mientras observa el anillo de ajuste, ajuste la presión de la aguja al valor adecuado.
- La presión correcta de la aguja para el cartucho incluido es de 3,5 g. En posición "3,5".



Ajuste de anti-skating

Este ajuste se realiza para evitar los saltos de la aguja.

- 1 Ha de coincidir con la misma posición de la escala que el valor de presión de la aguja.
- 2 Gire el dial [ANTI-SKATING] para que coincida con la marca de referencia del mismo valor que el valor de presión de la aguja del cartucho.

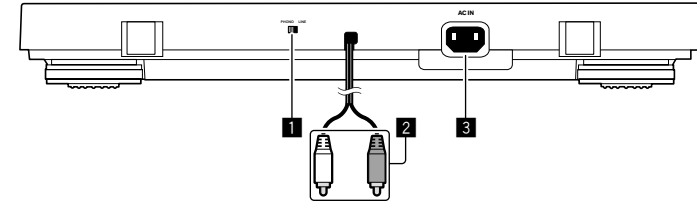


Conexión del equipo

Conexión del equipo

- Asegúrese de desconectar la alimentación y desenchufar el cable de alimentación de la toma de corriente siempre que haga o cambie conexiones.
- Consulte el manual de instrucciones del componente que va a ser conectado.
- Conecte el cable de alimentación después de terminar las conexiones entre los aparatos.

Descripciones de los terminales



1 Interruptor del equalizador

Mueva este interruptor a la posición correcta según el terminal de entrada de audio del pre-amplificador u otro componente análogo.

2 Terminales con salida RCA

Conecta el terminal de entrada de audio al pre-amplificador u otro componente análogo.

3 Terminal AC IN

Conecta a una toma de corriente con el cable de alimentación incluido. Espere hasta que todas las conexiones entre el equipo estén terminadas antes de conectar el cable de alimentación.

- Asegúrese de usar el cable de alimentación incluido.

Conexión a un preamplificador y a un componente

1 Coloque el interruptor del equalizador en la posición correcta.

PHONO: Al conectar el terminal de entrada PHONO (el equalizador integrado del reproductor de discos no se utiliza).

LINE: Al conectar un terminal de entrada distinto de PHONO (se utiliza el equalizador integrado del reproductor de discos).

2 Conecte el terminal de salida RCA al terminal de entrada del pre-amplificador u otro componente análogo.

3 Conecte el cable de alimentación.

Conecta a una toma de corriente con el cable de alimentación incluido. Espere hasta que todas las conexiones entre el equipo estén terminadas antes de conectar el cable de alimentación.

- Antes de conectarse a la fuente de alimentación (salida de corriente alterna) montada en el equipo conectado, compruebe la potencia en vatios mostrada en la fuente de alimentación. (Esta unidad consume 2 W de potencia.)
- Si el reproductor comienza a funcionar cuando se conecta el cable de alimentación pulse el botón [STOP].

Lugar de instalación

Coloque la unidad sobre una superficie plana que esté libre de vibraciones externas.

- Dentro de lo posible, mantenga la unidad alejada del sistema de altavoces.
- Si la unidad está muy cerca de una radio (emisiones AM/FM), la radio puede generar ruidos. Mantenga la distancia máxima posible con la unidad.

Reproducción

Realice la preparación del siguiente modo:

- Coloque un disco en el giradiscos.
- Retire la cubierta de la aguja teniendo cuidado de no tocar la punta de la aguja.

1 Pulse el botón [SPEED] para configurar la velocidad de reproducción del disco.

Para reproducir discos de 45 revoluciones coloque el botón en la posición elevada [■]; para discos de 33 1/3 revoluciones el botón debe encontrarse en posición pulsada [■].

- Para reproducir un disco EP estándar, coloque el adaptador de disco EP en el eje central y reproduzca el disco EP.

2 Mueva la palanca [SIZE SELECT] para configurar el tamaño del disco.

Para reproducir discos de 17 cm coloque la palanca en posición [17]; para discos de 30 cm coloque la palanca en posición [30].

- Para reproducir un disco EP estándar, coloque el adaptador de disco EP en el eje central y reproduzca el disco EP.

3 Pulse el botón [START] durante 1 segundo.

El giradiscos comienza a girar y la reproducción se inicia automáticamente.

- Una vez finaliza la reproducción del disco, el brazo fonocaptor vuelve a su posición original y el giradiscos se detiene automáticamente.
- Una vez que haya finalizado la reproducción de discos, coloque la cubierta de la aguja para proteger la punta de la aguja.
- Este aparato cuenta con una función de retorno automático, el brazo fonocaptor vuelve a su posición original automáticamente una vez alcanza un punto específico después de finalizar la reproducción del disco. Aunque esto no es un problema con discos de tamaño normal, con discos que incluyen surcos hasta ese punto la función de retorno automático se puede activar antes de que finalice la reproducción.



Notas

- No toque el brazo fonocaptor o el giradiscos ni desactive la corriente mientras se está reproduciendo un disco.
- El sistema de reproducción automática no se puede utilizar con discos de 25 cm. En este caso deberá realizar la operación manualmente. Si el brazo fonocaptor no vuelve a su posición original después de detener la reproducción, pulse el botón [STOP].

Pausa de la reproducción

Tire de la palanca elevadora hacia arriba.

La aguja del cartucho se eleva alejándose del disco.

- Para volver a la reproducción, apriete hacia abajo la palanca elevadora.

Final de la reproducción

1 Tire hacia arriba de la palanca para devolver el brazo fonocaptor al apoyo del brazo y después apriete hacia abajo la palanca elevadora.

2 Pulse el botón [STOP].

- Una vez que haya finalizado la reproducción de discos, coloque la cubierta de la aguja para proteger la punta de la aguja.

Información adicional

Sustitución de la aguja

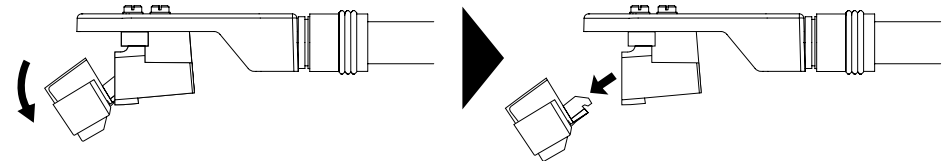
La aguja incluida tiene una vida útil de unas 400 horas. Para evitar dañar sus valiosos discos, sustituya la aguja al finalizar su vida útil. Adquiera una aguja de repuesto en la tienda donde adquirió su reproductor o en el centro de reparación más cercano. Especifique que desea una aguja de repuesto exclusivamente para PL-30-K.

- Desactive la corriente del amplificador antes de sustituir la aguja y desenchufe el cable de alimentación del reproductor.
- La punta de la aguja es una pieza extremadamente delicada, manipúlela con cuidado. Utilice un cepillo suave para limpiar el polvo de la punta de la aguja con mucha delicadeza.
- Desmontar el portacápsula facilita la sustitución de la aguja.

Desmontaje de la aguja sustituable

1 Sujetando el cartucho firmemente con una mano, agarre la aguja con la otra mano y, a continuación, presiónela hacia abajo.

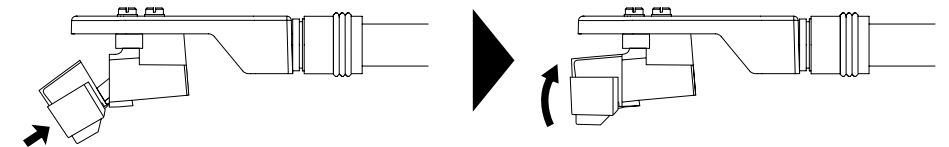
2 Tire de la aguja suavemente en la dirección de la flecha para extraerla.



Montaje de la aguja sustituable

1 Sujetando firmemente el cartucho con una mano, agarre la aguja con la otra mano y apuntando la parte insertable hacia la aguja, introdúzcala en todo su recorrido dentro del orificio más largo del cartucho.

2 Presione hacia arriba en la dirección de la flecha hasta que se escuche un "clik".

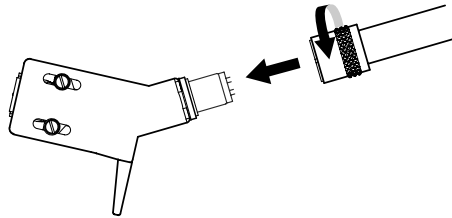


Sustitución del cartucho

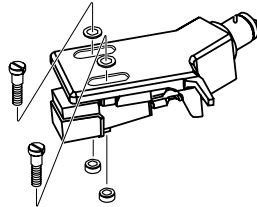
Si desea montar un cartucho diferente en este reproductor utilice uno con un peso de 4,5 g a 9,5 g. Para comprar solo un portacápsula, pida uno específico para PL-30-K en la tienda donde adquirió el giradiscos o en su centro de reparación más cercano.

Desmontaje del cartucho

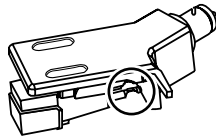
1 Gire la contratuerca del portacápsula y desmonte el mismo.



2 Afloje los tornillos de fijación del cartucho y extráigalos.



3 Desconecte los cables del lado del cartucho.

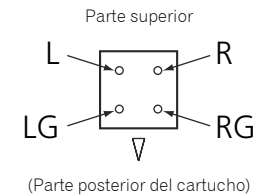


Fijación del cartucho

1 Conecte los cables.

Están codificados por colores como se indica a continuación. Tenga cuidado para conectarlos correctamente.

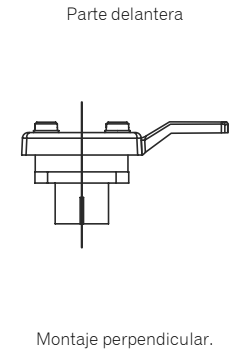
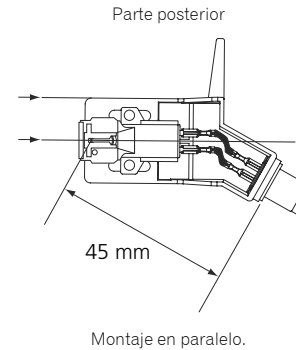
Color	Función
Rojo	Canal derecho (R)
Blanco	Canal izquierdo (L)
Verde	Toma de tierra del canal derecho (RG)
Azul	Toma de tierra del canal izquierdo (LG)



2 Monte el cartucho.

Para conseguir el saliente necesario realice el montaje de tal forma que la punta de la aguja quede colocada a unos 45 mm del borde de la superficie de fijación del portacápsula (la arandela de goma), como se muestra en el diagrama siguiente.

- El saliente para este reproductor debe ser de 19 mm.



3 Apriete los tornillos de fijación del cartucho para montar el mismo.

Notas

- Después de sustituir al cartucho asegúrese de reajustar el equilibrio horizontal, la presión de la guja y el valor anti-skating.
- El grosor del terminal depende del cartucho de repuesto y puede que algunos no conecten correctamente. En este caso, utilice el cable de repuesto incluido.

Solución de problemas

- Si su reproductor no funciona correctamente utilice la tabla siguiente para realizar el proceso de resolución de problemas. Si no puede resolver el problema, contacte con nuestro centro de atención al cliente o con la tienda de adquisición.

Problema	Verificación	Remedio
La alimentación no se conecta.	¿Está bien conectado el cable de alimentación?	Conecte bien el cable de alimentación incluido a una toma de corriente.
El giradiscos no gira.	¿Está bien colocada la correa?	Compruebe la correa y los rodillos. Si la correa se ha salido de su posición, colóquela según las instrucciones que se indican en Montaje. (Página 4)
	¿La correa está cortada?	Compruebe la correa y el rodillo. Si la correa está cortada, sustitúyala por una nueva.
No hay sonido o éste está muy bajo.	¿Están bien conectados los cables de audio?	Conecte correctamente los cables de audio.
	¿Están sucios los terminales y las clavijas?	Limpie los terminales y las clavijas antes de hacer conexiones.
	¿Está montado correctamente el portacápsula?	Monte correctamente el portacápsula.
El sonido sufre distorsiones.	¿Está el interruptor del ecualizador en posición [LINE] incluso aunque esté conectado a su terminal PHONO del amplificador?	Cuando el reproductor está conectado a un terminal PHONO, coloque el interruptor del ecualizador en posición [PHONO] .
El sonido es extremadamente bajo.	¿Está el interruptor del ecualizador en posición [PHONO] incluso aunque esté conectado al terminal AUX del amplificador?	Cuando conectó el reproductor al terminal AUX, colocó el interruptor del ecualizador en posición [LINE] . (Asegúrese de colocar el volumen de su amplificador al mínimo antes de modificar la posición del interruptor del ecualizador).
Los sonidos izquierdo y derecho están invertidos.	¿Están invertidas las conexiones izquierda y derecha para cada parte del equipo?	Conecte correctamente el cable de audio y los conductores de la pieza portacápsula.
Se produce un zumbido grave (sonido tipo ronquido o zumbido) durante la reproducción.	¿Hay un dispositivo eléctrico como una lámpara fluorescente o su cable de alimentación cerca del cable de alimentación de la unidad?	Coloque el cable de alimentación de la lámpara fluorescente o del otro dispositivo lo más lejos posible.
La punta de la aguja no desciende hasta alcanzar el disco.	¿Está ajustada la presión de la aguja correctamente?	Haga coincidir el contrapeso al valor apropiado de la presión de la aguja para su cartucho.
	¿Está equilibrado el brazo horizontalmente?	Gire el contrapeso hasta que el brazo fonocaptor se encuentre en estado horizontal.
Se producen saltos de la aguja.	¿Está ajustada la presión de la aguja correctamente?	Haga coincidir el contrapeso al valor apropiado de la presión de la aguja para su cartucho.
	¿Está alabeado el disco o está rayado?	Compruebe el estado del disco.
	¿Se ha acumulado en la punta de la aguja una gran cantidad de polvo?	Retire el portacápsula con el cartucho y utilice un pincel de punta suave o un pincel de escritura para eliminar con cuidado el polvo, etc. de la punta de la aguja.
	¿Está ajustado correctamente el anti-skating?	Ajuste el anti-skating correctamente.
	¿Está ajustada correctamente la altura del brazo?	Ajuste correctamente la altura del brazo.

Problema	Verificación	Remedio
El brazo se detiene a lo largo del camino y no sigue adelante.	¿Está rayado el disco? ¿Tiene contacto el brazo con algún obstáculo?	Compruebe el estado del disco. Compruebe alrededor del brazo. Si hay algún obstáculo, retírelo.
El volumen de sonido es bajo o alto.	¿Es adecuada la conexión con el amplificador para el tipo de cartucho (salida)?	Conecte correctamente los cables de conexión.

Cuidados para el uso

Acerca de la condensación

En invierno pueden formarse gotas de agua (condensación) dentro de la unidad (en las partes de funcionamiento o en la lente), por ejemplo, si ésta se pasa de un lugar frío a otro caliente o si la temperatura de la habitación donde está instalada la unidad aumenta repentinamente (empleando una calefacción, etc.). La unidad no funcionará correctamente o no funcionará en absoluto con condensación en su interior. Deje la unidad a la temperatura ambiental de la habitación durante 1 ó 2 horas (aunque este tiempo depende de las condiciones de la condensación) sin conectar su alimentación. Las gotas de agua se evaporarán y la unidad podrá reproducir. La condensación también se puede producir en verano si la unidad se expone a la salida directa de aire procedente de un acondicionador de aire, etc. Si pasa esto, ponga la unidad en una posición diferente.

Al transportar la unidad a otra ubicación

Utilice los materiales de embalaje originales para empaquetar la unidad.

Si los materiales de embalaje originales no están disponibles, asegúrese de realizar lo siguiente.

- Desmonte el plato y el giradiscos y empaquételos con cuidado.
- Desmonte el portacápsula y el contrapeso del brazo y empaquételos con cuidado.
- Utilice el agarre del brazo para asegurar el brazo fonocaptor y utilice cinta adhesiva para fijarlo sin que pueda moverse.
- Envuelva la unidad central en una manta o un papel suave de modo que no se dañe.

Mantenimiento de cada parte

Al montar y desmontar el portacápsula, apague la alimentación del amplificador.

Si lo hace mientras el volumen es alto, se pueden dañar los altavoces.

- Retire el portacápsula con el cartucho y utilice un pincel de punta suave o un pincel de escritura para eliminar con cuidado el polvo, etc. de la punta de la aguja.
- Utilice un limpiador de buena calidad para limpiar los discos.
- Utilice un paño suave o similar para limpiar el terminal del portacápsula y vuelva a montarlo en el brazo fonocaptor.

Limpieza de la cubierta guardapolvo, etc.

Utilice un paño suave para limpiar la cubierta guardapolvo y el mueble.

- No limpie la cubierta guardapolvo durante la reproducción. La energía estática puede provocar que el brazo fonocaptor sea empujado por la cubierta guardapolvo.

Acerca de las marcas comerciales y marcas comerciales registradas

- Pioneer es una marca registrada de PIONEER CORPORATION.

Los nombres de compañías y productos mencionados aquí son marcas comerciales de sus respectivos propietarios.

Especificaciones

Requisitos de alimentación eléctrica.....	220 V CA a 240 V, 50 Hz/60 Hz
Consumo de energía.....	2 W
Peso de la unidad principal.....	5,6 kg
Dimensiones máximas.....	435 mm (An) × 110 mm (Al) × 372,6 mm (Pr)
Temperatura de funcionamiento tolerable.....	+5 °C a +35 °C
Humedad de funcionamiento tolerable	5 % a 85 % (sin condensación)

Parte del giradiscos

Método de accionamiento.....	Sistema de accionamiento por correa
Motor	Servo motor de CC
Velocidad de rotación	33 1/3 rpm, 45 rpm
Loro y fluctuación.....	0,1 % o inferior a WRMS (JIS WTD)
Relación señal/ruido.....	60 dB (DIN-B)
Giradiscos.....	Caja de fundición a presión de aluminio

Parte del brazo fonocaptor

Tipo de brazo	Brazo fonocaptor de tipo recto con equilibrado estático
Longitud efectiva.....	221,5 mm
Saliente.....	19 mm
Rango variable de presión de la aguja	0 g a 4,0 g (1 escala 0,1 g)
Peso propio del cartucho	4,5 g a 9,5 g (cartucho simple)
Tipo de cartucho	Tipo MM
Peso del portacápsula	10,0 g (incluyendo tornillos y tuercas)

Tensión de salida

PHONO.....	2,5 mV
LINE.....	150 mV

- Las especificaciones y diseño de este producto están sujetos a cambios sin previo aviso.
- © 2014 PIONEER HOME ELECTRONICS CORPORATION. Todos los derechos reservados.



Если вы желаете утилизировать данное изделие, не выбрасывайте его вместе с обычным бытовым мусором. Существует отдельная система сбора использованных электронных изделий в соответствии с законодательством, которая предполагает соответствующее обращение, возврат и переработку.

Частные клиенты-в странах-членах ЕС, в Швейцарии и Норвегии могут бесплатно возвращать использованные электронные изделия в соответствующие пункты сбора или дилеру (при покупке сходного нового изделия).

В странах, не перечисленных выше, для получения информации о правильных способах утилизации обращайтесь в соответствующие учреждения.

Поступая таким образом, вы можете быть уверены в том, что утилизируемый продукт будет соответствующим образом обработан, передан в соответствующий пункт и переработан без возможных негативных последствий для окружающей среды и здоровья людей.

K058b_A1_Ru

ПРЕДУПРЕЖДЕНИЕ

Данное оборудование не является водонепроницаемым. Во избежание пожара или поражения электрическим током не помещайте рядом с оборудованием емкости с жидкостями (например, вазы, цветочные горшки) и не допускайте попадания на него капель, брызг, дождя или влаги.

D3-4-2-1-3_A1_Ru

ПРЕДУПРЕЖДЕНИЕ

Во избежание пожара не приближайте к оборудованию источники открытого огня (например, зажженные свечи).

D3-4-2-1-7a_A1_Ru

Условия эксплуатации

Изделие эксплуатируется при следующих температуре и влажности:
+5 °C до +35 °C; влажность менее 85 % (не заслоняйте охлаждающие вентиляторы)
Не устанавливайте изделие в плохо проветриваемом помещении или в месте с высокой влажностью, открытым для прямого солнечного света (или сильного искусственного света).

D3-4-2-1-7c*_A1_Ru

ВНИМАНИЕ

Чтобы полностью отключить питание устройства, вытащите вилку кабеля питания из электророзетки. Поэтому устройство следует устанавливать так, чтобы вилку кабеля питания можно было легко вытащить из розетки в чрезвычайных обстоятельствах. Во избежание пожара следует извлекать вилку кабеля питания из розетки, если устройство не будет использоваться в течение долгого времени (например, если вы уезжаете в отпуск).

D3-4-2-2-2a*_A1_Ru

ВНИМАНИЕ

ВО ИЗБЕЖАНИЕ ПОРАЖЕНИЯ ЭЛЕКТРИЧЕСКИМ ТОКОМ НЕ СНИМАЙТЕ КРЫШКУ (ИЛИ ЗАДНЮЮ СТЕНКУ). ВНУТРИ НЕ СОДЕРЖАТСЯ ДЕАТЛИ, ПРЕДНАЗНАЧЕННЫЕ ДЛЯ РЕМОНТА ПОЛЬЗОВАТЕЛЕМ. ДЛЯ ОБСЛУЖИВАНИЯ ОБРАТИТЕСЬ К КВАЛИФИЦИРОВАННОМУ СОТРУДНИКУ СЕРВИСНОЙ СЛУЖБЫ.

D3-4-2-1-1_B1_Ru

МЕРЫ ПРЕДОСТОРОЖНОСТИ ПРИ ОБРАЩЕНИИ С СЕТЕВЫМ ШНУРОМ

Держите сетевой шнур за вилку. Не вытаскивайте вилку, взявшись за шнур, и никогда не касайтесь сетевого шнура, если Ваши руки влажные, так как это может привести к короткому замыканию или поражению электрическим током. Не ставьте аппарат, предметы мебели и т.д. на сетевой шнур, не зажимайте его. Не завязывайте узлов на шнуре и не связывайте его с другими шнурами.

Сетевые шнуры должны лежать так, чтобы на них нельзя было наступить. Поврежденный сетевой шнур может стать причиной возникновения пожара или поразить Вас электрическим током. Время от времени проверяйте сетевой шнур. В случае обнаружения повреждения обратитесь за заменой в ближайший официальный сервисный центр фирмы PIONEER или к Вашему дилеру.

S002*_A1_Ru

ПРЕДУПРЕЖДЕНИЕ

Храните небольшие детали вне доступа детей. При случайном заглатывании, немедленно обращайтесь к врачу.

D41-6-4_A1_Ru

ОБЯЗАТЕЛЬНАЯ ВЕНТИЛЯЦИЯ

При установке устройства обеспечьте достаточное пространство для вентиляции во избежание повышения температуры внутри устройства (не менее 15 см сверху, 5 см сзади и по 5 см слева и справа).

D3-4-2-1-7d*_A1_Ru

Данное изделие предназначено для использования в общих хозяйственных целях. В случае возникновения любой неисправности, связанной с использованием в других, нежели хозяйственных целях (таких, как длительное использование в коммерческих целях в ресторане или в автомобиле, или на корабле) и требующей ремонта, такой ремонт осуществляется за плату, даже в течение гарантийного срока.

K041_A1_Ru

Благодарим вас за покупку этого изделия марки Pioneer. Полностью прочтите настоящие инструкции по эксплуатации, чтобы знать, как правильно обращаться с этой моделью.

Содержание

01 Перед началом работы

Особенности	4
Проверка комплекта поставки.....	4
Сборка	4

02 Управление

Названия деталей и функции	6
Регулировка	6
Подключение оборудования	7
Воспроизведение	8
Приостановка воспроизведения	8
Завершение воспроизведения.....	8
Дополнительная информация	8

03 Другие неисправности

Устранение неполадок.....	10
Предостережения по использованию	10
Техническое обслуживание каждого узла.....	11
Торговые марки и зарегистрированные торговые марки	11
Технические характеристики.....	11

Особенности

Простой в использовании, полностью автоматический проигрыватель грампластинок

Выбрав размер грампластинки, достаточно просто нажать кнопку [START], чтобы начать ее воспроизведение. По завершении воспроизведения тонарм автоматически вернется в исходное положение.

Стабильное воспроизведение грампластинок благодаря корпусу с низким центром тяжести

В нижней части проигрывателя находится металлическая плита, придающая низкий центр тяжести всему корпусу, что обеспечивает стабильное воспроизведение грампластинок даже при внешних вибрациях.

Возможность включения и выключения эквалайзера проигрывателя

Этот проигрыватель снабжен собственным эквалайзером, поэтому его можно напрямую подключать к усилителям, не имеющим вывода PHONO. При подключении к усилителю, у которого есть эквалайзер, эту функцию можно выключить.

Поставляется с высококачественным картриджем MM

Поставка проигрывателя вместе с картриджем позволяет сразу же начать пользоваться им.

Поставляется с достаточно толстой резиновой накладкой

Резиновая накладка толщиной 5 мм подавляет внешние вибрации, а также улучшает сцепление между грампластинкой и диском, обеспечивая стабильное воспроизведение.

Ненавязчивый дизайн

Сдержанный внешний вид и отделка проигрывателя обеспечат его гармоничное сочетание с другими компонентами аудиосистемы и интерьером.

Съемный шнур питания

При перемещении проигрывателя кабели не мешают, что устраняет проблемы с отсоединением.

Проверка комплекта поставки

Проверьте наличие перечисленных ниже принадлежностей:

- Диск
- Накладка диска
- Пылезащитная крышка со съемными петлями
- Адаптер для долгоиграющих пластинок
- Противовес
- Головка звукоснимателя с картриджем
- Запасные проволочные выводы
- Кабель питания
- Инструкция по эксплуатации (этот документ)
- Гарантийный талон

ПРЕДУПРЕЖДЕНИЕ

Храните небольшие детали вне доступа детей. При случайном заглатывании, немедленно обращайтесь к врачу.

D41-6-4_A1_Ru

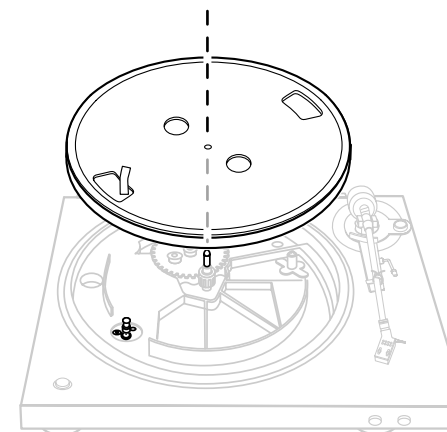
Сборка

- Не снимайте зажим-закрутку, фиксирующий тонарм, до завершения сборки.
- После сборки проигрывателя и подключения к другим устройствам подсоедините шнур питания.

1 Установите диск.

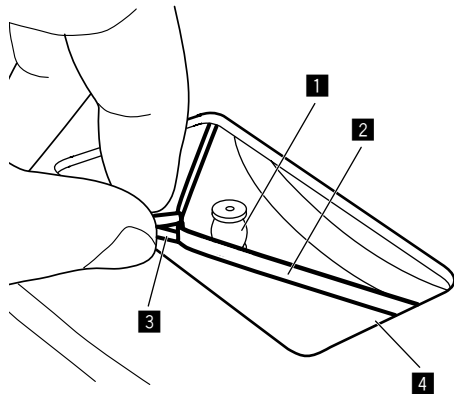
Установите диск на центральный шпindel.

- Действуйте осторожно, чтобы не ударить диском по основному блоку и не уронить его.



- 2 Поверните диск так, чтобы ролик был виден в квадратном отверстии с отрывной лентой для захвата ремня.

3 Возьмитесь за отрывную ленту и захватите ремень снаружи по центру ролика.



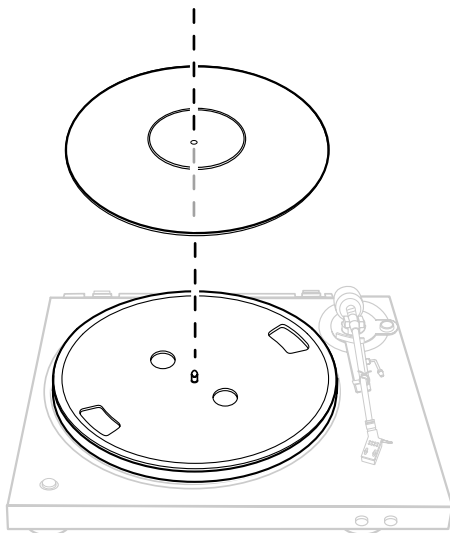
- 1 Ролик
- 2 Ремень
- 3 Отрывная лента
- 4 Квадратное отверстие

4 Удалите отрывную ленту.

5 Медленно проверните диск на пять или шесть оборотов.
Убедитесь, что ремень хорошо зацепился за центральную часть ролика.

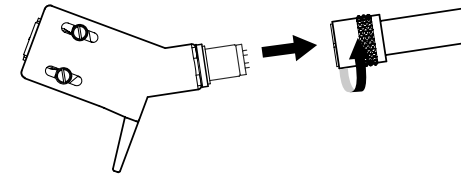
6 Установите накладку на диск.

- Накладка диска имеет верхнюю и нижнюю стороны. Установите накладку на диск нижней частью с логотипом Pioneer вниз.



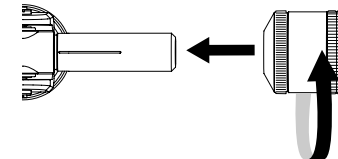
7 Установите головку звукоснимателя.

Вставьте головку звукоснимателя с установленным картриджем в тонарм. Затем затяните стопорную гайку, удерживая головку звукоснимателя в горизонтальном положении.



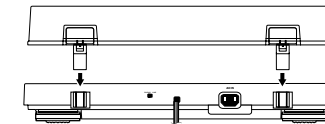
8 Установите противовес.

Установите противовес на заднюю часть ручки тонарма.



9 Установите пылезащитную крышку.

Хорошо вставьте петля пылезащитной крышки в захваты на задней части проигрывателя.



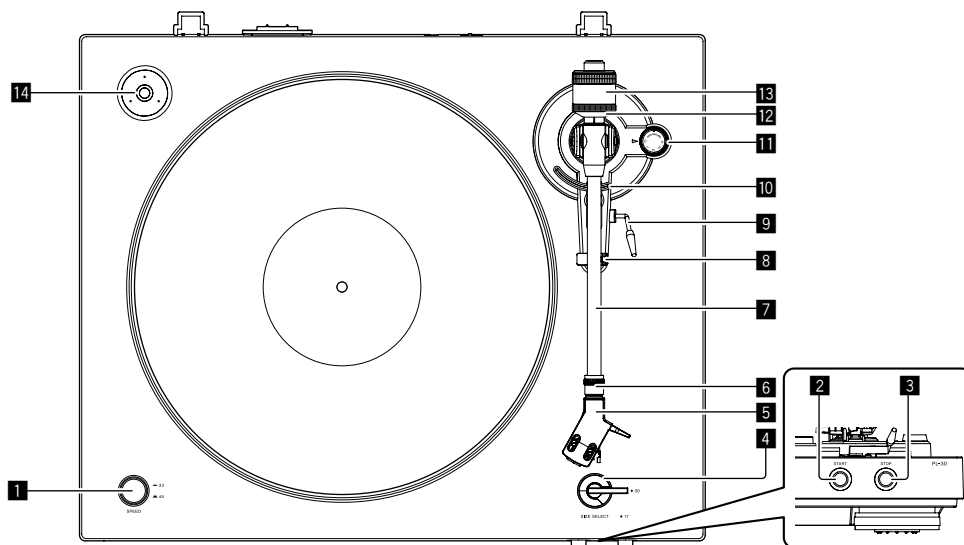
- Полностью вставьте обе петли.
- При снятии пылезащитной крышки полностью откройте ее, а затем потяните вверх, удерживая крышку рядом с замками петель.

10 Снимите зажим-закрутку, фиксирующий тонарм.

По завершении сборки снимите зажим-закрутку, фиксирующий тонарм.

Названия деталей и функции

Верхняя панель



- 1 Кнопка SPEED**
Предназначена для изменения скорости в соответствии с воспроизводимой грампластинкой.
- 2 Кнопка START**
Нажмите, чтобы запустить диск.
- 3 Кнопка STOP**
Нажмите, чтобы остановить диск.
- 4 Ручка SIZE SELECT**
Переключите, чтобы изменить размер в соответствии с воспроизводимой грампластинкой.
- 5 Головка звукоснимателя**
Используется при установленном картридже.
- 6 Контргайка**
Удерживает установленный картридж.
- 7 Тонарм**
- 8 Упор тонарма**
Служит опорой тонарма.

- 9 Рычаг микролифта**
При подъеме рычага тонарм поднимается. При опускании рычага тонарм опускается.
- 10 Микролифт тонарма**
Это устройство предназначено для перемещения тонарма вверх и вниз. Управление им осуществляется рычагом микролифта.
- 11 Ручка регулировки ANTI-SKATING**
При воспроизведении грампластинки на иглу звукоснимателя действует сила, направленная к внутреннему периметру. Чтобы компенсировать эту силу, установите ручку регулировки на значение, равное прижимной силе звукоснимателя.
- 12 Кольцо регулировки прижимной силы звукоснимателя**
Используется для настройки необходимой прижимной силы звукоснимателя картриджа.
- 13 Противовес**
Используется для балансировки тонарма и регулировки прижимной силы звукоснимателя.
- 14 Адаптер для долгоиграющих пластинок**
Используется для воспроизведения стандартных долгоиграющих грампластинок.

Регулировка

Регулировка баланса тонарма

Порядок подготовки:

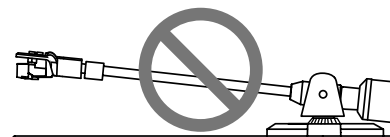
- На картриджах со съемными защитными колпачками звукоснимателя снимите колпачок.
- Опустите рычаг микролифта.

1 Установите регулятор [ANTI-SKATING] на "0".

2 Снимите тонарм с упора и отрегулируйте баланс таким образом, чтобы тонарм располагался горизонтально.

Вращайте противовес, пока тонарм не примет почти горизонтальное положение.

- При перемещении тонарма обращайте внимание на то, чтобы игла звукоснимателя не касалась диска и других частей.



Противовес расположен слишком близко к концу

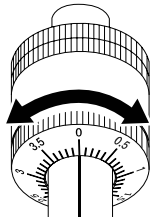


Противовес расположен слишком близко к началу

Регулировка прижимной силы звукоснимателя

- 1 Верните тонарм на упор.
- 2 Совместите метку “0” на кольце регулировки прижимной силы звукоснимателя с осевой линией на задней части ручки тонарма.

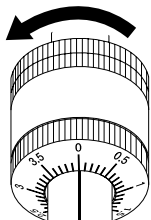
Удерживая противовес пальцем, чтобы он не перемещался, поверните только кольцо регулировки прижимной силы звукоснимателя так, чтобы метка “0” совпала с черной осевой линией на задней части ручки тонарма.



- 3 Отрегулируйте прижимную силу звукоснимателя.

Поверните противовес, чтобы отрегулировать прижимную силу звукоснимателя в соответствии с используемым картриджем.

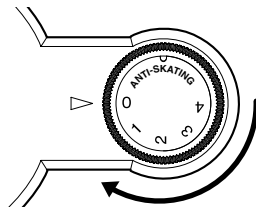
- При вращении противовеса вращается и кольцо регулировки прижимной силы звукоснимателя. Следя за кольцом, отрегулируйте необходимую прижимную силу.
- Правильная прижимная сила звукоснимателя для поставляемого картриджа – 3,5 г. Выберите значение “3,5”.



Регулировка компенсации скатывающей силы

Эта регулировка выполняется для предотвращения скачков звукоснимателя.

- 1 Установите то же значение на шкале, что и для прижимной силы звукоснимателя.
- 2 Поверните ручку [ANTI-SKATING] так, чтобы установить контрольную метку на то же самое значение, что и прижимная сила звукоснимателя картриджа.

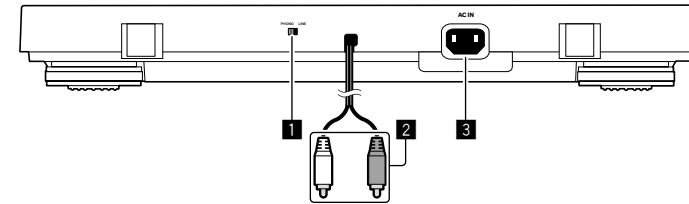


Подключение оборудования

Подключение оборудования

- При выполнении или изменении подключений обязательно выключайте питание и отсоединяйте шнур питания от розетки.
- Справьтесь с инструкцией по эксплуатации на подключаемое устройство.
- После подключения всех устройств подключите шнур питания.

Описание выводов



1 Переключатель эквалайзера

Установите переключатель в положение, соответствующее входному аудиовыводу основного предусилителя или другого устройства.

2 Выходные выводы RCA

Используются для подключения к входному аудиовыводу основного предусилителя или другого устройства.

3 Терминал AC IN

Подключается к розетке через поставляемый шнур питания. Подключайте шнур питания только после завершения всех подключений между оборудованием.

- Используйте только поставляемый шнур питания.

Подключение к основному предусилителю и другим устройствам

- 1 Установите переключатель эквалайзера в необходимое положение.

PHONO: для подключения к входному выводу PHONO (встроенный эквалайзер проигрывателя не используется).

LINE: для подключения к выводу, отличному от входного вывода PHONO (встроенный эквалайзер проигрывателя используется).

- 2 Подключите выходной вывод RCA к входному выводу основного предусилителя или другого устройства.

- 3 Подключите шнур питания.

Подключается к розетке через поставляемый шнур питания. Подключайте шнур питания только после завершения всех подключений между оборудованием.

- Перед подключением к розетке (розетке переменного тока), установленной на подключенном оборудовании, проверьте мощность, указанную на розетке. (Проигрыватель потребляет 2 Вт.)
- Если проигрыватель начинает работать при подключении шнура питания к розетке, нажмите кнопку [STOP].

Место установки

Установите проигрыватель на горизонтальную поверхность, которая не подвергается воздействию внешних вибраций.

- Устанавливайте проигрыватель на максимальном возможном расстоянии от акустической системы.
- При установке вблизи радиоприемника (диапазона AM/FM) радиоприемник может создавать помехи. Устанавливайте проигрыватель как можно дальше от радиоприемника.

Воспроизведение

Порядок подготовки:

- Установите грампластинку на диск.
- Снимите защитный колпачок звукоснимателя, не касаясь иглы.

1 Нажмите кнопку [SPEED], чтобы выбрать скорость воспроизведения грампластинок.

Для воспроизведения "сорокапяток" отожмите кнопку [■]; для воспроизведения грампластинок со скоростью 33 1/3 нажмите кнопку [■].

- Для воспроизведения стандартных долгоиграющих грампластинок установите адаптер долгоиграющих пластинок на центральный шпиндель и начните воспроизведение.

2 Рычагом [SIZE SELECT] выберите размер грампластинок.

Для воспроизведения 17 см грампластинок установите рычаг в положение [17]; для воспроизведения 30 см грампластинок установите рычаг в положение [30].

- Для воспроизведения стандартных долгоиграющих грампластинок установите адаптер долгоиграющих пластинок на центральный шпиндель и начните воспроизведение.

3 Держите кнопку [START] нажатой более 1 секунды.

Опорный диск начнет вращаться и воспроизведение начнется автоматически.

- По завершении воспроизведения грампластинки тонарм вернется в исходное положение, а диск перестанет вращаться автоматически.
- По завершении воспроизведения установите защитный колпачок звукоснимателя, чтобы защитить иглу.
- Этот проигрыватель снабжен функцией, автоматически возвращающей тонарм в исходное положение при достижении определенной точки после завершения воспроизведения грампластинки. При воспроизведении грампластинок стандартного размера эта функция срабатывает правильно, однако при воспроизведении грампластинок с канавками записи, достигающими до этой точки, функция может активироваться до завершения воспроизведения.



Примечания

- Не касайтесь тонарма или диска и не выключайте питание во время воспроизведения грампластинки.
- Систему автоматического воспроизведения использовать с 25 см грампластинками нельзя. Если тонарм не возвращается в исходное положение после завершения воспроизведения, нажмите кнопку [STOP].

Приостановка воспроизведения

Поднимите рычаг микролифта.

Игла звукоснимателя картриджа поднимется с грампластинки.

- Для возобновления воспроизведения опустите рычаг микролифта.

Завершение воспроизведения

- 1 Поднимите рычаг микролифта, чтобы вернуть тонарм на упор, а затем опустите рычаг микролифта.
- 2 Нажмите кнопку [STOP].
 - По завершении воспроизведения установите защитный колпачок звукоснимателя, чтобы защитить иглу.

Дополнительная информация

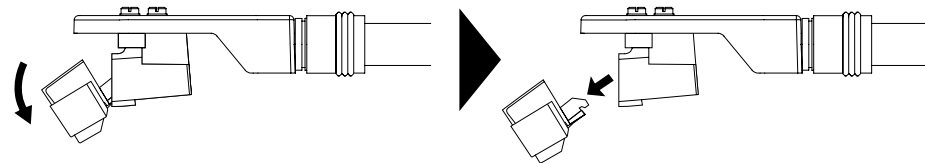
Замена звукоснимателя

Срок службы поставляемой иглы звукоснимателя составляет 400 часов. Во избежание повреждения ценных грампластинок своевременно заменяйте иглу звукоснимателя. Покупайте иглы звукоснимателя в том же самом магазине, в котором приобрели проигрыватель, или же в ближайшем пункте технической поддержки. При покупке указывайте, что приобретаете иглу звукоснимателя для PL-30-K.

- Перед заменой иглы звукоснимателя выключите питание усилителя и отключите шнур питания проигрывателя от розетки.
- Игла звукоснимателя – очень хрупкая деталь, поэтому обращайтесь с ней очень осторожно. Для удаления пыли с иглы используйте мягкую щетку.
- Снимите головку звукоснимателя, чтобы было легче заменить звукосниматель.

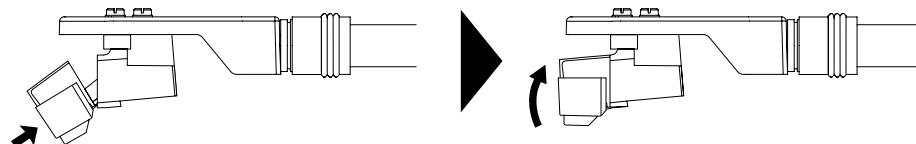
Снятие сменного звукоснимателя

- 1 неподвижно удерживая картридж одной рукой, возьмитесь другой рукой за звукосниматель и потяните его вниз.
- 2 Осторожно подайте звукосниматель в направлении, указанном стрелкой.



Установка сменного звукоснимателя

- 1 неподвижно удерживая картридж одной рукой, возьмитесь другой рукой за звукосниматель, правильно направьте защелку на сменном звукоснимателе и до упора вставьте его в длинное отверстие в картридже.
- 2 Поднимите звукосниматель в направлении, указанном стрелкой, до щелчка.

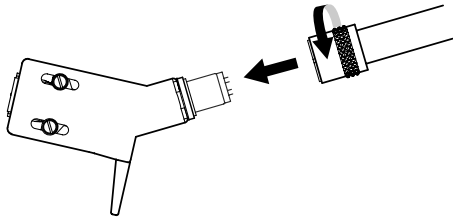


Замена картриджа

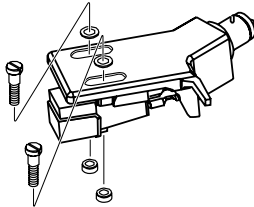
Чтобы установить на проигрыватель другой картридж, используйте картридж весом 4,5–9,5 г. При покупке в магазине или ближайшем пункте технической поддержки только головки звукоснимателя, укажите что покупаете ее для PL-30-K.

Снятие картриджа

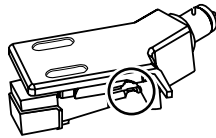
- 1 Поверните контргайку головки звукоснимателя и снимите его.



- 2 Выкрутите и извлеките крепежные винты картриджа.



- 3 Отсоедините проволочные выводы на стороне картриджа.

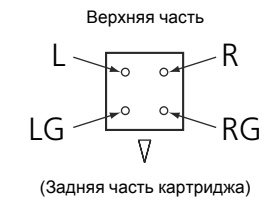


Установка картриджа

- 1 Подсоедините проволочные выводы.

Они имеют разные цвета, как указано ниже. Подсоединяйте их правильно.

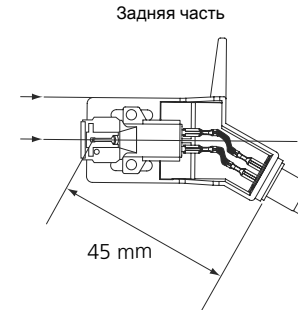
Цвет	Назначение
Красный	Правый канал (R)
Белый	Левый канал (L)
Зеленый	Масса правого канала (RG)
Синий	Масса левого канала (LG)



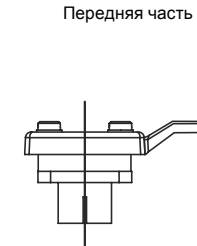
- 2 Установите картридж.

Чтобы получить необходимый выступ, выполняйте установку так, чтобы игла звукоснимателя располагалась примерно на 45 мм от края установочной поверхности (резиновая шайба) головки звукоснимателя, как показано на рисунке ниже.

- Выступ на этом проигрывателе должен быть 19 мм.



Установите параллельно.



Установите перпендикулярно.

- 3 Затяните крепежные винты картриджа, чтобы установить его.

Примечания

- После замены картриджа обязательно повторно отрегулируйте горизонтальный баланс, прижимная сила звукоснимателя и компенсацию скатывающей силы.
- Толщина клемм зависит от запасного картриджа, и некоторые из них могут плохо подключаться. В этом случае используйте поставляемые запасные проволочные выводы.

Устранение неполадок

- При нарушении работоспособности проигрывателя используйте таблицу ниже для поиска и устранения неисправностей.

При невозможности устранить неисправность самостоятельно, обратитесь в центр техобслуживания или точку продажи.

Неисправность	Проверка	Способ устранения
Не включается питание.	Шнур питания подключен правильно?	Правильно подключите поставляемый шнур питания к розетке.
Диск не вращается.	Ремень на месте?	Проверьте ремень и ролики. Если ремень соскочил с диска, установите его на место согласно инструкциям в Сборка. (Стр 4)
	Ремень целый?	Проверьте ремень и ролики. Если ремень порван, замените его новым.
Нет звука или тихий звук.	Аудиокабели подключены правильно?	Правильно подключите аудиокабели.
	Терминалы и штекеры чистые?	Перед подключением очистите выводы и штекеры.
	Головка звукоснимателя установлена правильно?	Правильно установите головку звукоснимателя.
Искажение звука.	Переключатель эквалайзера установлен в положение [LINE] даже при подключении проигрывателя к выводу PHONO усилителя?	Если проигрыватель подключен к выводу PHONO, установите переключатель эквалайзера в положение [PHONO].
Очень тихий звук.	Переключатель эквалайзера установлен в положение [PHONO] даже при подключении проигрывателя к выводу AUX усилителя?	При подключении к выводу AUX к выводу PHONO, установите переключатель эквалайзера в положение [LINE]. (Перед изменением положения переключателя эквалайзера обязательно установите громкость усилителя на минимум.)
Звук левого и правого канала поменяны местами.	Соединения левого и правого каналов каждого устройства поменяны местами?	Правильно подсоедините аудиокабель и проволочные выводы головки звукоснимателя.
Во время воспроизведения слышен тихий гудящий звук (гудение или жужжание).	Возле соединительного шнура есть флуоресцентная лампа или ее шнур питания?	Проложите шнур питания флуоресцентной лампы или другое устройство на максимальном возможном расстоянии.
Игла звукоснимателя не опускается на грампластинку.	Прижимная сила звукоснимателя отрегулирована правильно?	Отрегулируйте противовес, чтобы установить прижимную силу звукоснимателя, соответствующую используемому картриджу.
	Горизонтальная балансировка тонарма выполнена?	Поверните противовес до достижения горизонтального положения тонарма.

Неисправность	Проверка	Способ устранения
Происходят скачки звукоснимателя.	Прижимная сила звукоснимателя отрегулирована правильно?	Отрегулируйте противовес, чтобы установить прижимную силу звукоснимателя, соответствующую используемому картриджу.
	Грампластинка деформирована или на ней есть царапины?	Проверьте состояние грампластинки.
	На игле скопилась пыль?	Снимите головку звукоснимателя с картриджем и осторожно удалите пыль или другие загрязнения с иглы звукоснимателя мягкой щеткой или кисточкой.
	Компенсация скатывающей силы отрегулирована правильно?	Правильно отрегулируйте компенсацию скатывающей силы.
Тонарм останавливается и не перемещается дальше.	Высота тонарма отрегулирована правильно?	Правильно отрегулируйте высоту тонарма.
	На грампластинке есть царапины?	Проверьте состояние грампластинки.
Звук тихий или громкий.	Тонарм соприкасается с чем-либо?	Проверьте область вокруг тонарма. Если есть какое-либо препятствие, удалите его.
	Подключение к усилителю соответствует типу картриджа (выходу)?	Правильно подключите соединительные кабели.

Предостережения по использованию

Конденсат

В зимнее время внутри проигрывателя (на рабочих деталях или линзе) могут образоваться водяные капли (конденсат), например если проигрыватель был перенесен из холодного места в теплую комнату или при резком повышении температуры в комнате, где он установлен (обогревание, др.). Проигрыватель будет работать неправильно и не будет воспроизводить, пока внутри него есть конденсат. Оставьте проигрыватель выключенным на 1 или 2 часа при комнатной температуре (необходимое время зависит от состояния конденсата). Водяные капли испарятся, и проигрыватель будет работать снова. Конденсат может образовываться в летнее время, если на проигрыватель прямо дует кондиционер. В таком случае установите проигрыватель в другое место.

При транспортировке проигрывателя в другое место

Для упаковки проигрывателя используйте оригинальные упаковочные материалы. Если оригинальных упаковочных материалов нет, сделайте следующее:

- Снимите и хорошо упакуйте накладку и диск.
- Снимите и хорошо упакуйте головку звукоснимателя и противовес с тонарма.
- Зажимом зафиксируйте тонарм и закрепите его изолентой так, чтобы он не перемещался.
- Заверните основной блок в одеяло или мягкую бумагу, чтобы не повредить его.

Техническое обслуживание каждого узла

При установке и снятии головки звукоснимателя отключайте питание усилителя.

Выполнение этих операции при установленной высокой громкости может вызвать повреждение громкоговорителя.

- Снимите головку звукоснимателя с картриджем и осторожно удалите пыль или другие загрязнения с иглы звукоснимателя мягкой щеткой или кисточкой.
- Чистите грампластинки высококачественным специальным средством.
- Мягкой тканью или аналогичным материалом очистите выводы головки звукоснимателя, а затем установите ее на тонарм.

Очистка пылезащитной крышки и других деталей.

Для очистки пылезащитной крышки и корпуса используйте мягкую ткань.

- Не очищайте пылезащитную крышку во время воспроизведения. Статическое электричество может привести к притягиванию тонарма к пылезащитной крышке.

Торговые марки и зарегистрированные торговые марки

- Pioneer является зарегистрированной торговой маркой PIONEER CORPORATION.
- Указанные здесь названия компаний и изделий являются торговыми марками соответствующих владельцев.

Технические характеристики

Требования по питанию..... 220 В до 240 В перем. тока, 50 Гц/60 Гц
 Потребляемая мощность..... 2 Вт
 Вес основного блока5,6 кг
 Макс. размеры..... 435 (Ш) мм × 110 (В) мм × 372,6 (Г) мм
 Допустимая рабочая температура..... от +5 °С до +35 °С
 Допустимая рабочая влажность..... от 5 % до 85 % (без образования конденсата)

Узел диска

Привод..... Ременный
 Эл. двигатель..... Серводвигатель постоянного тока
 Скорость вращения..... 33 1/3 об/мин, 45 об/мин
 Коэффициент детонации..... Не более 0,1 % WRMS (JIS WTD)
 Соотношение сигнал/шум..... 60 дБ (DIN-B)
 Диск..... Литой алюминий

Узел тонарма

Тип тонарма..... Статически сбалансированный, прямой
 Полезная длина221,5 мм
 Выступ19 мм
 Диапазон регулировки прижимной силы звукоснимателя..... От 0 г до 4,0 г (1 деление шкалы – 0,1 г)
 Собственная масса картриджа От 4,5 г до 9,5 г (один картридж)
 Тип картриджа MM
 Вес головки звукоснимателя..... 10,0 г (включая винты и гайки)

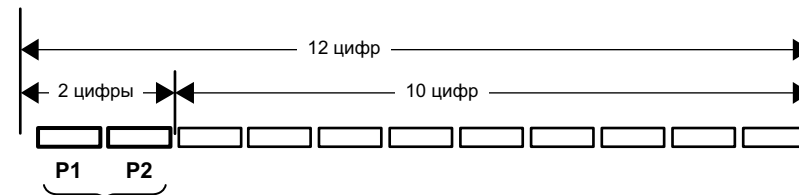
Выходное напряжение

PHONO..... 2,5 мВ
 LINE..... 150 мВ

- Технические характеристики и конструкция данного изделия могут быть изменены без предварительного уведомления.

Дату изготовления оборудования можно определить по серийному номеру, который содержит информацию о месяце и годе производства.

Серийный номер



Дата изготовления оборудования

P1 - Год изготовления

Год	2001	2002	2003	2004	2005	2006	2007	2008	2009	2010
Символ	A	B	C	D	E	F	G	H	I	J

Год	2011	2012	2013	2014	2015	2016	2017	2018	2019	2020
Символ	K	L	M	N	O	P	Q	R	S	T

P2 - Месяц изготовления

Месяц	1	2	3	4	5	6	7	8	9	10	11	12
Символ	A	B	C	D	E	F	G	H	I	J	K	L

D3-7-10-7_A1_Ru

- © PIONEER HOME ELECTRONICS CORPORATION, 2014. Все права защищены.

Примечание:

В соответствии со статьей 5 Закона Российской Федерации "О защите прав потребителя" и Указанием Правительства Российской Федерации № 720 от 16 июня 1997 года корпорация Pioneer Europe NV устанавливает условие на следующую продолжительность срока службы официально поставляемых на Российский рынок товаров.

Аудио и видеоборудование: 7 лет

Переносное аудиооборудование: 6 лет

Другое оборудование (наушники, микрофон и т.д.): 5 лет

Автомобильная электроника: 6 лет

D3-7-10-6_A1_Ru

PIONEER HOME ELECTRONICS CORPORATION

1-1, Shin-ogura, Saiwai-ku, Kawasaki-shi, Kanagawa 212-0031, Japan

Корпорация Пайонир Хоум Электроникс

1-1, Син-Огура, Сайвай-ку, г. Кавасаки, префектура Канагава, 212-0031, Япония

Импортер: ООО "ПИОНЕР РУС"

125040, Россия, г. Москва, ул. Правды, д.26 Тел.: +7(495) 956-89-01

PIONEER ELECTRONICS (USA) INC.

P.O. BOX 1540, Long Beach, California 90801-1540, U.S.A. TEL: (800) 421-1404

PIONEER ELECTRONICS OF CANADA, INC.

340 Ferrier Street, Unit 2, Markham, Ontario L3R 2Z5, Canada TEL: 1-877-283-5901, 905-479-4411

PIONEER EUROPE NV

Haven 1087, Keetberglaan 1, B-9120 Melsele, Belgium TEL: 03/570.05.11

PIONEER ELECTRONICS ASIACENTRE PTE. LTD.

253 Alexandra Road, #04-01, Singapore 159936 TEL: 65-6472-7555

PIONEER ELECTRONICS AUSTRALIA PTY. LTD.

5 Arco Lane, Heatherton, Victoria, 3202, Australia, TEL: (03) 9586-6300

PIONEER ELECTRONICS DE MEXICO S.A. DE C.V.

Bldv.Manuel Avila Camacho 138 10 piso Col.Lomas de Chapultepec, Mexico, D.F. 11000 TEL: 55-9178-4270

K002*_B5_Ru

© 2014 PIONEER HOME ELECTRONICS CORPORATION.
All rights reserved.

© 2014 PIONEER HOME ELECTRONICS CORPORATION.
Tous droits de reproduction et de traduction réservés.

Discover the benefits of registering your product online at <http://www.pioneer.co.uk>
(or <http://www.pioneer.eu>).

Découvrez les nombreux avantages offerts en enregistrant votre produit en ligne maintenant sur
<http://www.pioneer.fr> (ou <http://www.pioneer.eu>).

Bitte nutzen Sie die Möglichkeit zur Registrierung Ihres Produktes unter
<http://www.pioneer.de> (oder <http://www.pioneer.eu>).

Registra il tuo prodotto su <http://www.pioneer.it> (o <http://www.pioneer.eu>)
e scopri subito quali vantaggi puoi ottenere!

Ontdek nu de voordelen van online registratie! Registreer uw Pioneer product via
<http://www.pioneer.nl> - <http://www.pioneer.be> (of <http://www.pioneer.eu>).

Registre su producto en <http://www.pioneer.es> (o en <http://www.pioneer.eu>)
Descubra los beneficios de registrarse on-line:

Зарегистрируйте Ваше изделие на <http://www.pioneer-rus.ru>
(или <http://www.pioneer.eu>)

Ознакомьтесь с преимуществами регистрации в Интернет.