



ES78

OWNER'S MANUAL

GOLD NOTE
il suono italiano



ES78

OWNER'S MANUAL

GOLD NOTE
il suono italiano

Thank you for your purchase of the **ES78** stereo cartridge.
Read these Operating Instructions carefully before using your **ES78** and keep it for future reference.

Before Using

1. The Stylus is very delicate. Applying excessive force to the stylus, such as pressing with a finger can break it. Handle the cartridge with the utmost care.
2. A powerful magnet is used in the cartridge. Note that carelessly bringing a steel screwdriver or other such item near the cartridge will result in it being attracted by the magnet and may result in damage to the stylus, so care must be taken.

Package Content

- Cartridge body
- Aluminium sets of head-shell fixing 2,5mm screws and bolts
- Owner's Manual

Method of Use

1. Mounting the cartridge on the tone arm Head-Shell using the supplied Allen Wrench and one set of the 2,5mm screws. Adjust it to the stylus position specified for the turntable system you are using mounting it properly without tilting or turning it. (See Figure 1.)

• The output terminals are colours coded for identification as illustrated in Figure 2.

Match the colors of the tone arm head-shell leads to the terminals and connect each other properly.

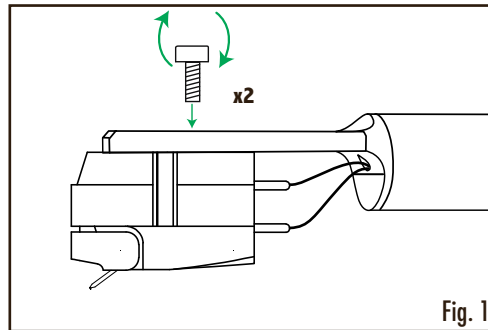


Fig. 1

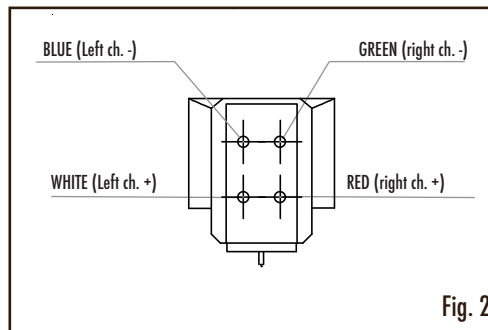


Fig. 2

NOTE:

When connecting the cartridge, be sure to use the tipped leads and press them onto the terminals.

Applying heat to the output terminals of the cartridge, such as in direct soldering, will cause internal damage to the coils.

Thank you for your purchase of the **ES78** stereo cartridge.
Read these Operating Instructions carefully before using your **ES78** and keep it for future reference.

Before Using

1. The Stylus is very delicate. Applying excessive force to the stylus, such as pressing with a finger can break it. Handle the cartridge with the utmost care.
2. A powerful magnet is used in the cartridge. Note that carelessly bringing a steel screwdriver or other such item near the cartridge will result in it being attracted by the magnet and may result in damage to the stylus, so care must be taken.

Package Content

- Cartridge body
- Aluminium sets of head-shell fixing 2,5mm screws and bolts
- Owner's Manual

Method of Use

1. Mounting the cartridge on the tone arm Head-Shell using the supplied Allen Wrench and one set of the 2,5mm screws. Adjust it to the stylus position specified for the turntable system you are using mounting it properly without tilting or turning it. (See Figure 1.)

• The output terminals are colours coded for identification as illustrated in Figure 2.

Match the colors of the tone arm head-shell leads to the terminals and connect each other properly.

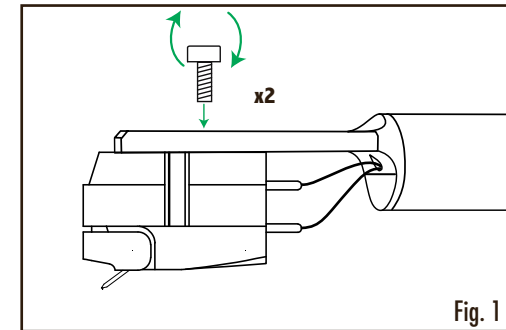


Fig. 1

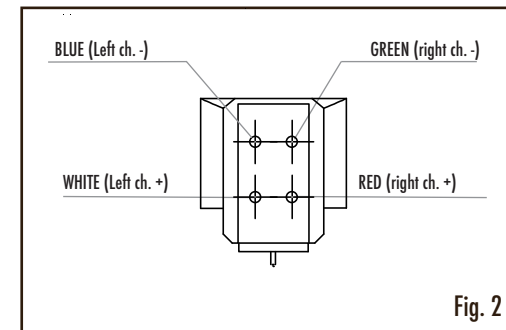


Fig. 2

NOTE:

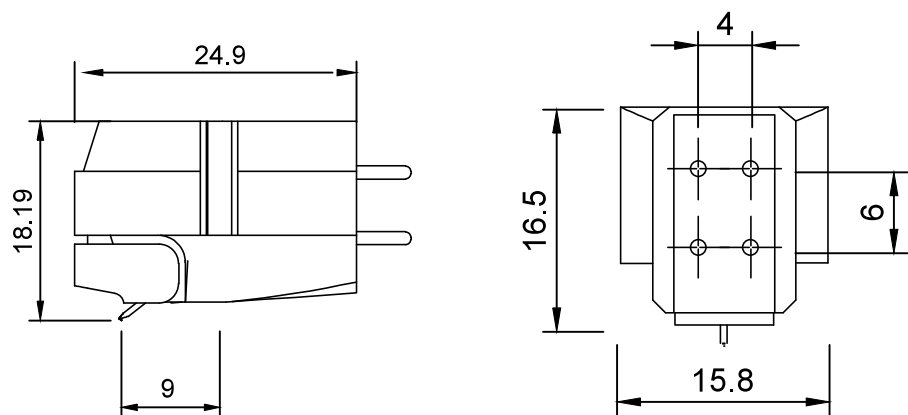
When connecting the cartridge, be sure to use the tipped leads and press them onto the terminals.

Applying heat to the output terminals of the cartridge, such as in direct soldering, will cause internal damage to the coils.

With its computer shape design achieving top audio performance, **ES78** combines convenience and performance the best.

Its high dampening body firmly block the cartridge; its ultra-rigid cantilever in aluminium features a custom elliptical diamond tip, exclusively developed for **Gold Note**.

To let you enjoy even the finest sound details, the cantilever is securely and directly installed into the metal body to enhance structural rigidity for top trackability, so that you can experience the greatest and largest bandwidth response.



SPECIFICATIONS

Typology: MM Phono Cartridge
Output level: 4mV
Frequency response: 15-25000Hz
Impedance: 1000Ω
Suggested load: 47KΩ
Inductance: 500mH
Compliance: 10×10-6cm/dyne
Channel separation: >20dB
Channel balance: <2dB
Suggested tracking weight: 2g
Cantilever: Aluminum
Diamond: Conical
Diamond size: 7.5*15.5μm
Coil Wire: Copper
Magnet: Samarium-Cobalt
Mounting hole diamond distance: 9mm

Physical

Total weight: 6g

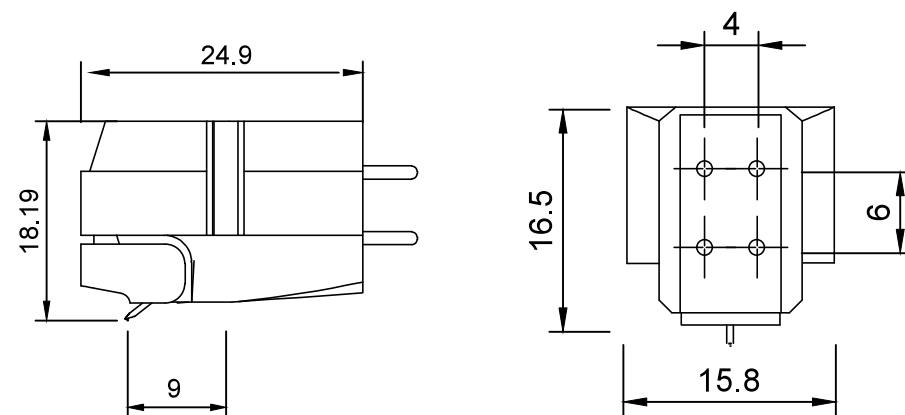


Tel. +39 0571 675005
www.goldnote.it

With its computer shape design achieving top audio performance, **ES78** combines convenience and performance the best.

Its high dampening body firmly block the cartridge; its ultra-rigid cantilever in aluminium features a custom elliptical diamond tip, exclusively developed for **Gold Note**.

To let you enjoy even the finest sound details, the cantilever is securely and directly installed into the metal body to enhance structural rigidity for top trackability, so that you can experience the greatest and largest bandwidth response.



SPECIFICATIONS

Typology: MM Phono Cartridge
Output level: 4mV
Frequency response: 15-25000Hz
Impedance: 1000Ω
Suggested load: 47KΩ
Inductance: 500mH
Compliance: 10×10-6cm/dyne
Channel separation: >20dB
Channel balance: <2dB
Suggested tracking weight: 2g
Cantilever: Aluminum
Diamond: Conical
Diamond size: 7.5*15.5μm
Coil Wire: Copper
Magnet: Samarium-Cobalt
Mounting hole diamond distance: 9mm

Physical

Total weight: 6g



Tel. +39 0571 675005
www.goldnote.it